

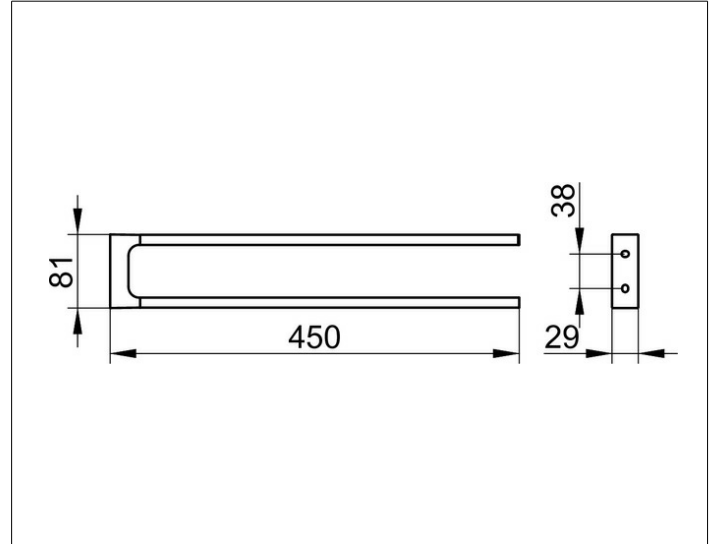
Edition 11

11118030000 Towel holder

PRODUCT



DRAWING



PRODUCT ATTRIBUTES

fixed

SURFACE

brushed bronze

DIMENSION

450 mm

SPECIFICATIONS

KEUCO EDITION 11 towel holder 11118030000
brushed bronze towel rail in formal design and clear geometric shapes
two mutually adjacent retaining arms - easy to clean fixed, easily
Throat 17-11/16"
The towel rack has 2 fixing points
delivery with corrosion resistant mounting hardware