

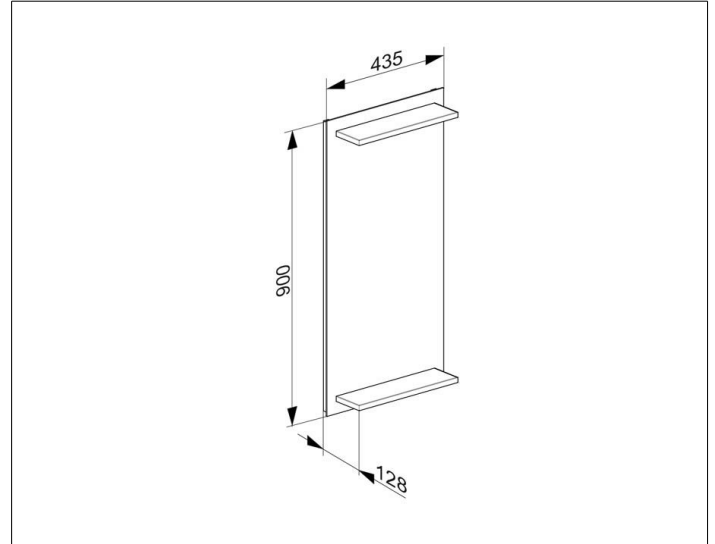
Edition 11

11198001500 Light mirror

**PRODUCT**



**DRAWING**



**PRODUCT ATTRIBUTES**

with integrated shelf, LED lamp (2 x 7 watt),  
concealed switch

EEK: C , 7 kWh/1000h

**DIMENSION**

435 x 900 x 128 mm