

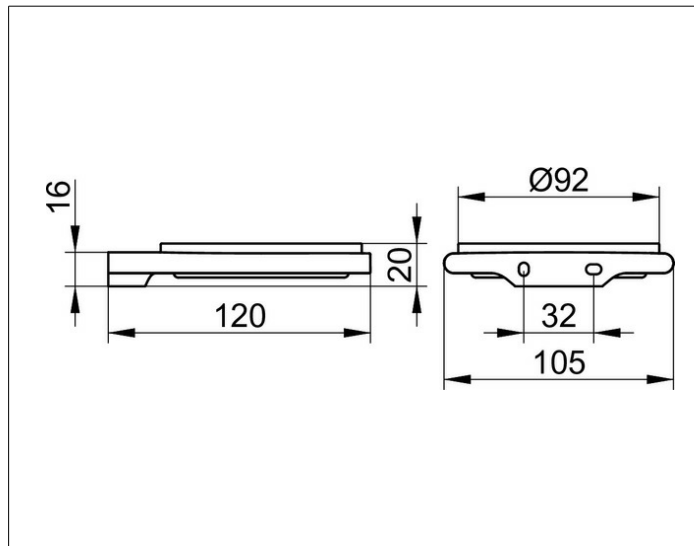
Edition 400

11555059000 Soap holder

PRODUCT



DRAWING



PRODUCT ATTRIBUTES

complete with crystal soap dish matt

SURFACE

brushed nickel

SPECIFICATIONS

KEUCO Edition 400 soap holder, 11555059000 soap holder in sculptural design, brushed nickel holder with slightly rounded edges, complete with removable crystal soap dish, matt, easy to clean, width 4-1/8", Height 13/16", depth 4-3/4", the soap holder is fitted concealed, delivery includes anti-corrosion fixings