

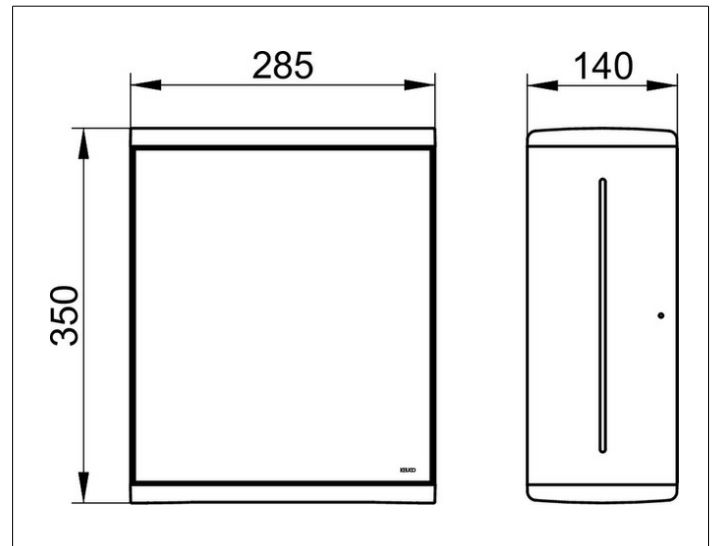
Collection Moll

12785010201 Paper towel dispenser

PRODUCT



DRAWING



PRODUCT ATTRIBUTES

with mirror door

SURFACE

aluminium silver anodized (E6 EV1)/anthracite (RAL 7021)

SPECIFICATIONS

KEUCO COLLECTION MOLL paper towel dispenser 12785010201
 Paper towel dispenser aluminum silver anodized with a mirrored-glass swing door,
 Door hinge right, pivoting range approx. 280 mm, and max. 95°,
 Wall mounted, plastic lid and base, mat, anthracite, RAL 7021
 Total depth with door opened 410 mm, for folded paper towels, length up to 250 mm,
 Width from 100 up to 120 mm, Height 350 mm, Width 285 mm
 Projection 140 mm
 The paper towel dispenser is fitted with 4 hidden fixing points incl. corrosion-free mounting material