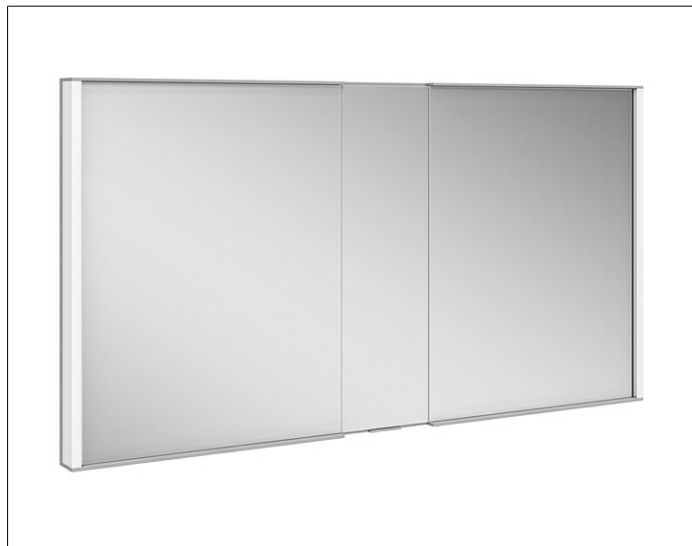
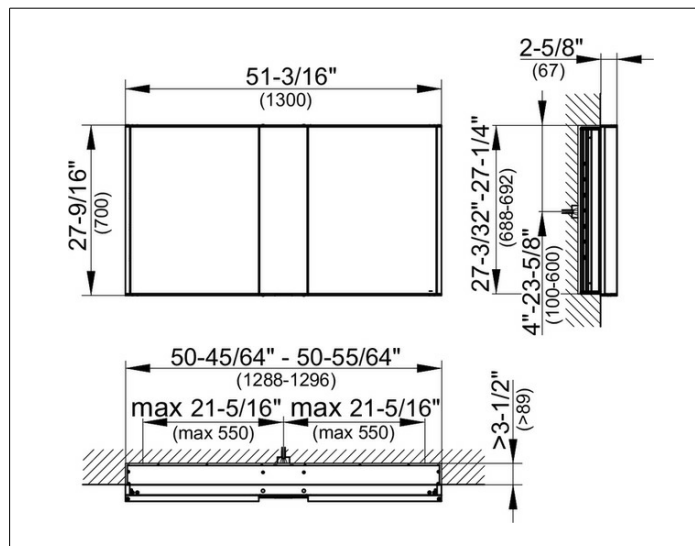


Royal Match
12815171351 Mirror cabinet

PRODUCT



DRAWING



EEK: ,

SURFACE

silver anodized

DIMENSION

1300 x 700 x 150 mm

SPECIFICATIONS

KEUCO Royal Match Mirror cabinet 12815171351
 High quality Mirror cabinet in elegant design

for recessed installation
 1 fixed mirror unit (centric)
 2 hinged double sided crystal mirror doors,
 body in aluminium silver anodized,
 rear panel in back-lacquered white glass

Operation:
 control panel with capacitive touch sensor,
 optional to be operated via the light switch

Illumination:
 LED 2 x 12,5 watt (lifespan > 30.000 hours),
 light color 3000 kelvin (warm white),
 infinitely dimmable, lamps non-exchangeable

- 2 sockets (internal)
- 2 x 3 adjustable glass shelves
- interior lighting

51-3/16" x 27-9/16" x 5-7/8"

silver anodized