

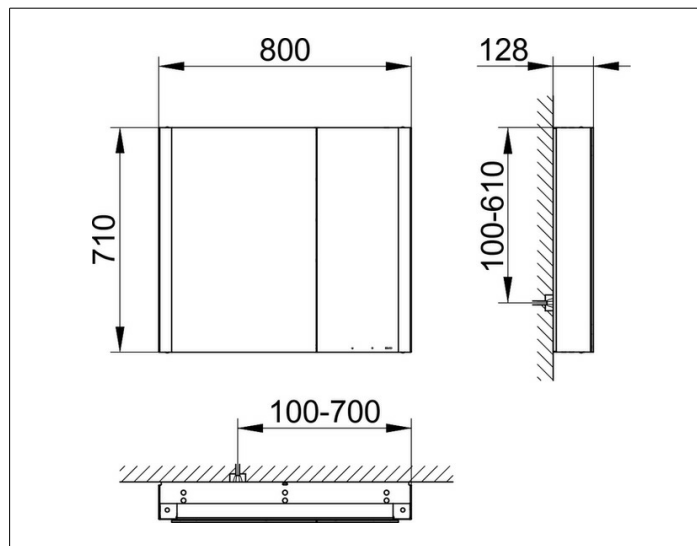
Somaris

14502512231 Mirror cabinet

PRODUCT



DRAWING



PRODUCT ATTRIBUTES

wall mounted,
with mirror heating (placed in the centre of the door),
2 hinged double sided crystal mirror doors (asymmetrically),
Body: aluminium silver anodized
Rear panel made from HDF

Operation:
key panel with capacitive touch sensor,
integrated extension function for e.g. light switch

Mirror heating:
60 watt, visual display of the heat up period,
automatic switch-off is performed after 20 minutes

Illumination:
light colour 3000 kelvin (warm white),
infinitely dimmable and can be switched on/off
LED 25 watt (lifespan > 30.000 hours)

EQUIPMENT

- 1 shaver socket
- 3 adjustable glass shelves
- soft-closing door

SURFACE

white matt

DIMENSION

800 x 710 x 128 mm