

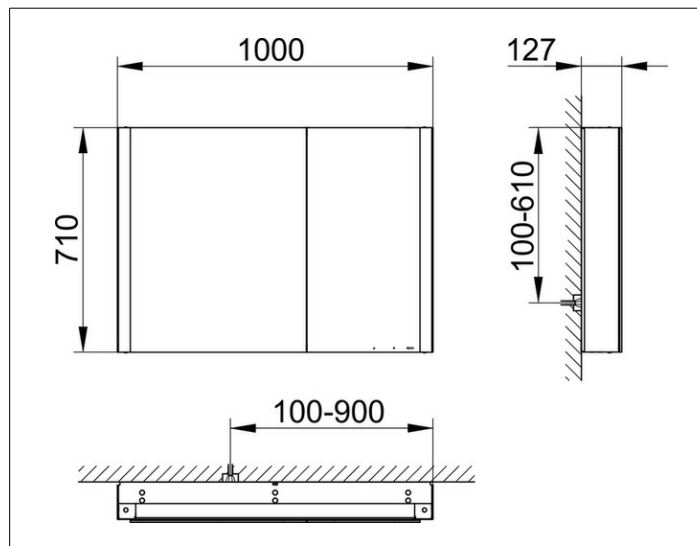
**Somaris**

**14503512231 Mirror cabinet**

**PRODUCT**



**DRAWING**



**PRODUCT ATTRIBUTES**

wall mounted,  
with mirror heating (placed in the centre of the door),  
2 hinged double sided crystal mirror doors (asymmetrically),  
Body: aluminium silver anodized  
Rear panel made from HDF

Operation:  
key panel with capacitive touch sensor,  
integrated extension function for e.g. light switch

Mirror heating:  
60 watt, visual display of the heat up period,  
automatic switch-off is performed after 20 minutes

Illumination:  
light colour 3000 kelvin (warm white),  
infinitely dimmable and can be switched on/off  
LED 25 watt (lifespan > 30.000 hours)

**EQUIPMENT**

- 1 shaver socket
- 3 adjustable glass shelves
- soft-closing door

**SURFACE**

white matt

**DIMENSION**

1000 x 710 x 128 mm