

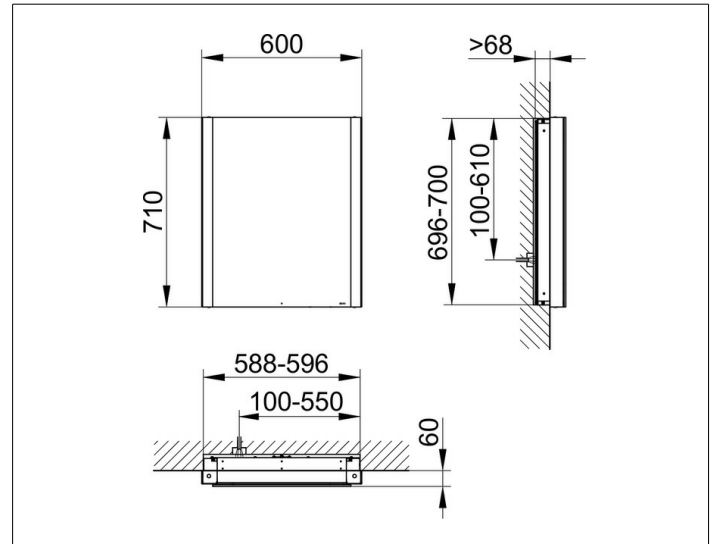
**Somaris**

**14511001110 Mirror cabinet**

**PRODUCT**



**DRAWING**



**PRODUCT ATTRIBUTES**

for recessed installation,  
 1 hinged double sided crystal mirrored door,  
 Body: aluminium silver anodized  
 Rear panel made from HDF  
 Operation:  
 key panel with capacitive touch sensor,  
 integrated extension function for e.g. light switch  
 Illumination:  
 light colour 3000 kelvin (warm white),  
 infinitely dimmable and can be switched on/off  
 LED 25 watt (lifespan > 30.000 hours)

**EQUIPMENT**

- 1 socket
- 3 adjustable glass shelves
- soft-closing door

**SURFACE**

mirrored/right hand

**DIMENSION**

600 x 710 x 115 mm