

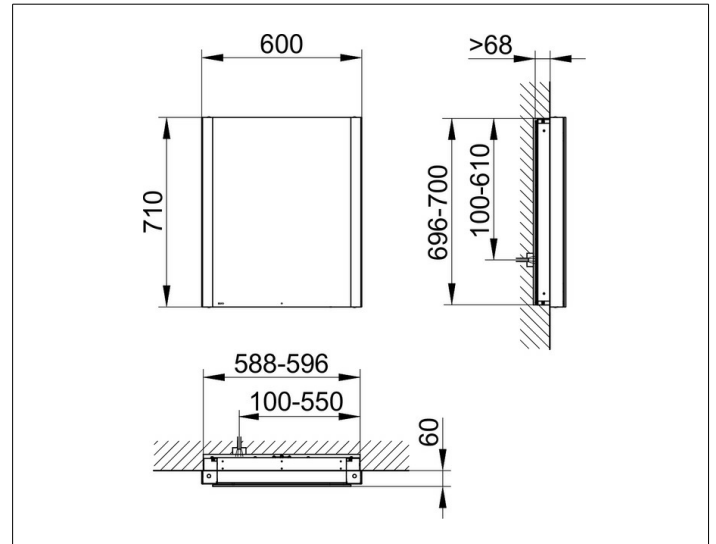
Somaris

14511511210 Mirror cabinet

PRODUCT



DRAWING



PRODUCT ATTRIBUTES

for recessed installation,
 1 hinged double sided crystal mirrored door,
 Body: aluminium silver anodized
 Rear panel made from HDF
 Operation:
 key panel with capacitive touch sensor,
 integrated extension function for e.g. light switch
 Illumination:
 light colour 3000 kelvin (warm white),
 infinitely dimmable and can be switched on/off
 LED 25 watt (lifespan > 30.000 hours)

EQUIPMENT

- 1 socket
- 3 adjustable glass shelves
- soft-closing door

SURFACE

white matt/left hand

DIMENSION

600 x 710 x 115 mm