

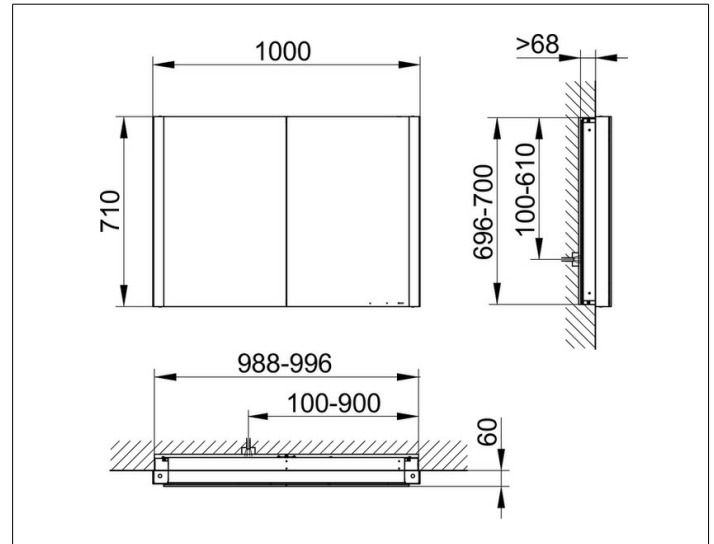
**Somaris**

**14513852131 Mirror cabinet**

**PRODUCT**



**DRAWING**



**PRODUCT ATTRIBUTES**

for recessed installation,  
 with mirror heating (placed in the centre of the door),  
 2 hinged double sided crystal mirror doors,  
 Body: aluminium silver anodized  
 Rear panel made from HDF  
 Operation:  
 key panel with capacitive touch sensor,  
 integrated extension function for e.g. light switch  
 Mirror heating:  
 60 watt, visual display of the heat up period,  
 automatic switch-off is performed after 20 minutes  
 Illumination:  
 light colour 3000 kelvin (warm white),  
 infinitely dimmable and can be switched on/off  
 LED 25 watt (lifespan > 30.000 hours)

**EQUIPMENT**

- 1 shaver socket
- 3 adjustable glass shelves
- soft-closing door

**SURFACE**

light oak (decor)

**DIMENSION**

1000 x 710 x 115 mm