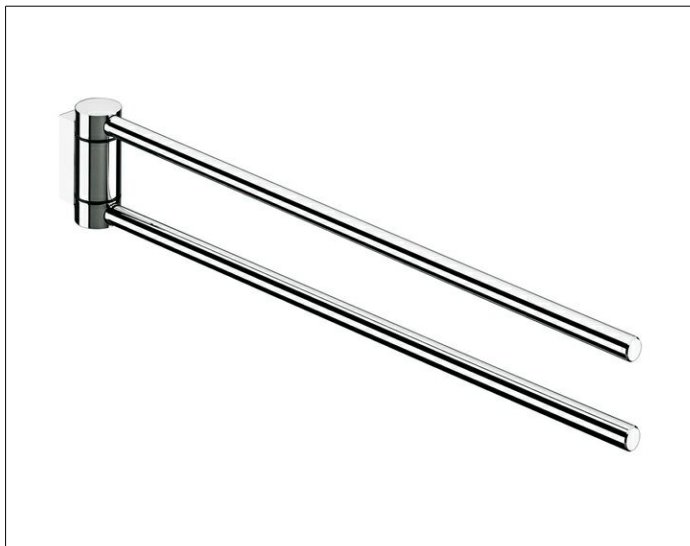
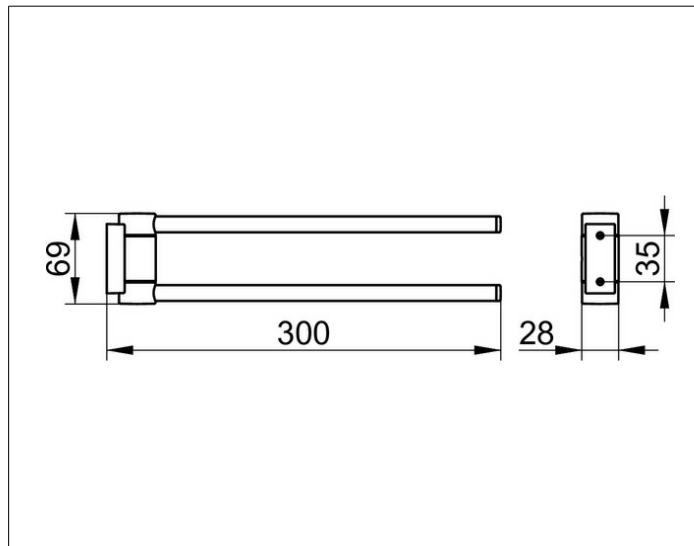


Plan
14919010000 Towel holder

PRODUCT



DRAWING



PRODUCT ATTRIBUTES

two arms, swiveling

SURFACE

chrome-plated

DIMENSION

300 mm

SPECIFICATIONS

KEUCO PLAN towel holder 14919010000
Chrome-plated towel holder in a stylish yet functional design
Two stacked, independent laterally swiveling arms
Anti static, easy to clean,
Projection: 300 mm
The towel holder is fitted with two hidden fixing points
incl. corrosion-free mounting material