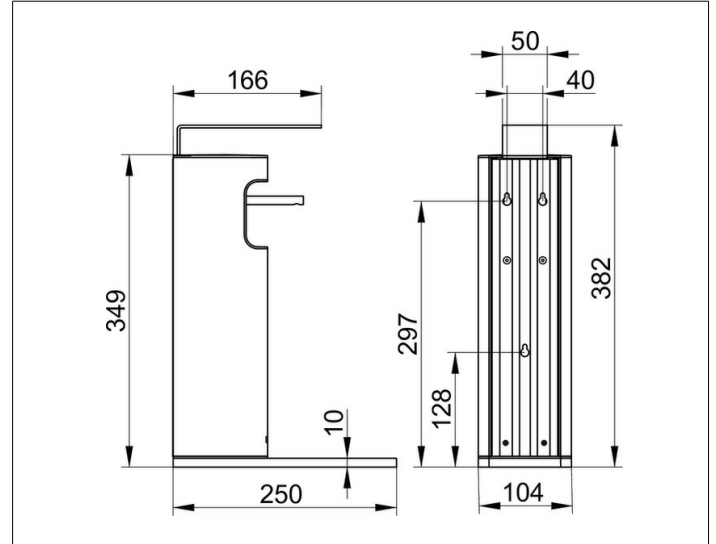


**Plan**  
**14954010400 Sanitiser dispenser**

**PRODUCT**



**DRAWING**



**PRODUCT ATTRIBUTES**

with synthetic insert and pump  
Capacity: approx. 500 ml  
Dosage: approx. 1,6 ml/stroke

**SURFACE**

chrome-plated/black (RAL 9011)