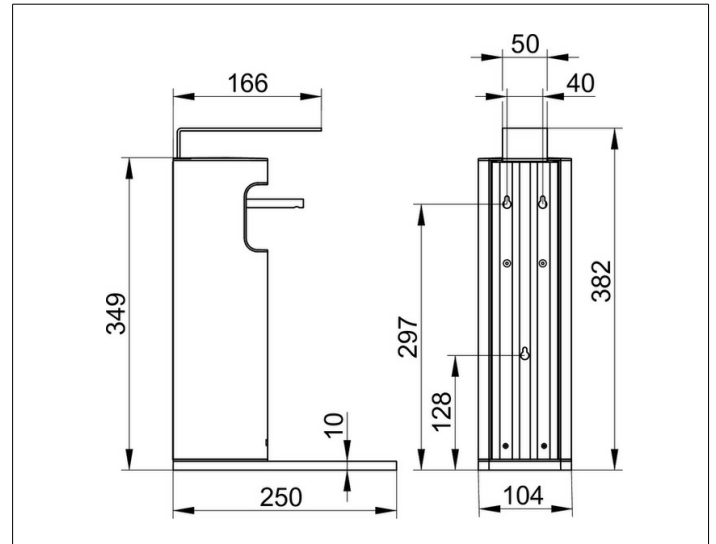


Plan
14954070400 Sanitiser dispenser

PRODUCT



DRAWING



PRODUCT ATTRIBUTES

with synthetic insert and pump
Capacity: approx. 500 ml
Dosage: approx. 1,6 ml/stroke

SURFACE

Stainless steel finish/black (RAL 9011)