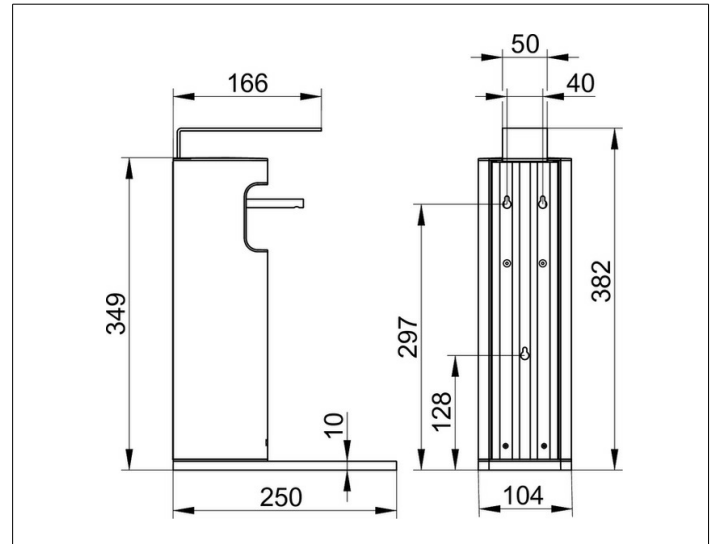


**Plan**  
**14954170400 Sanitiser dispenser**

**PRODUCT**



**DRAWING**



**PRODUCT ATTRIBUTES**

with synthetic insert and pump  
Capacity: approx. 500 ml  
Dosage: approx. 1,6 ml/stroke

**SURFACE**

aluminium silver anodized (E6 EV1)/dark grey (RAL 7021)