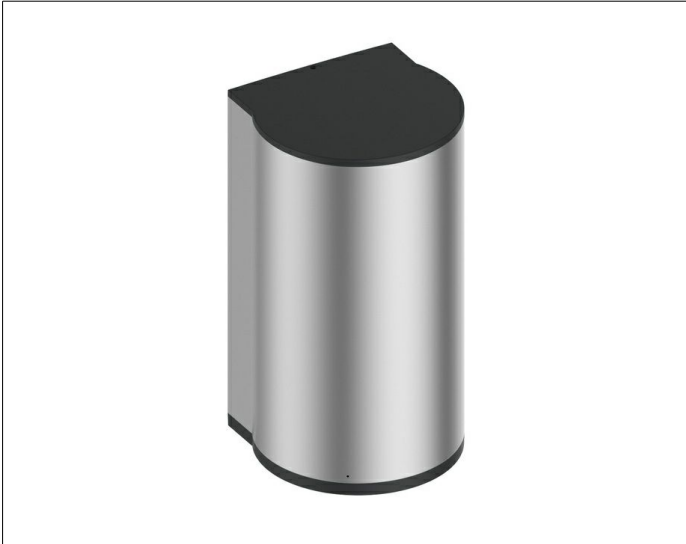
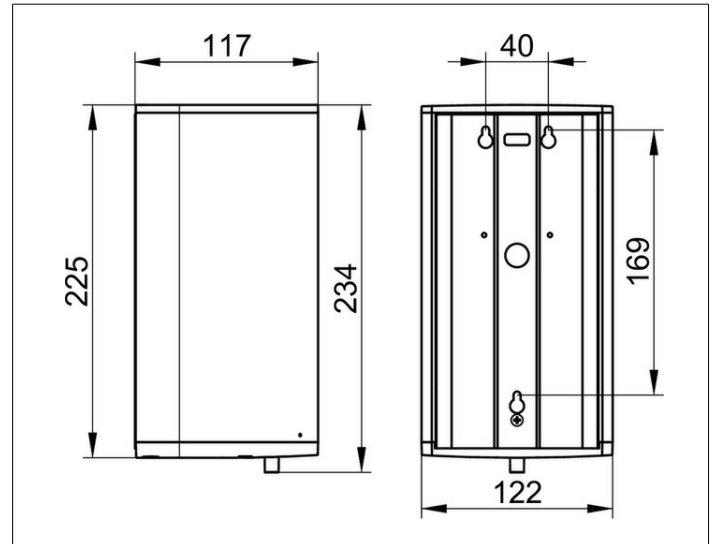


Plan
14956170237 Foam soap dispenser

PRODUCT



DRAWING



SURFACE

silver anodized/dark grey

DIMENSION

Wandmodell