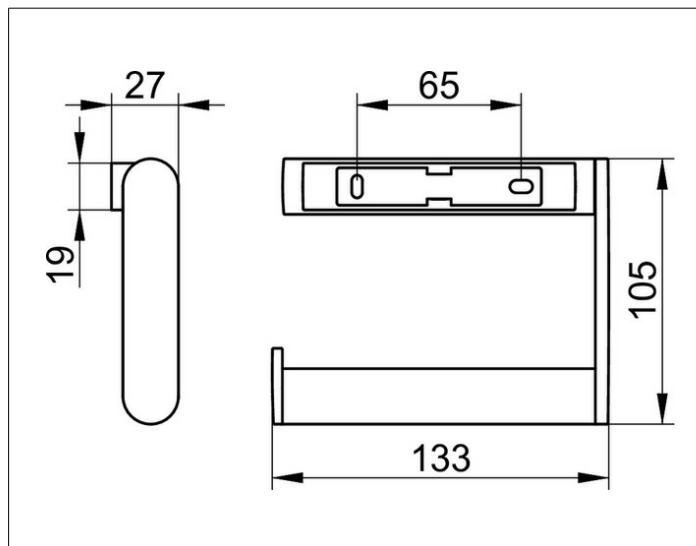


Plan
14962070000 Toilet paper holder

PRODUCT



DRAWING



PRODUCT ATTRIBUTES

open form
 for 100/120 mm wide paper rolls

SURFACE

stainless steel

SPECIFICATIONS

KEUCO PLAN toilet paper holder 14962070000
 Toilet paper holder in high grade stainless steel, in a stylish yet functional design
 open form
 suitable for 100/120 mm wide toilet rolls
 width 133 mm, height 105 mm, projection 27 mm
 The toilet paper holder is fitted with 2 hidden fixing points
 incl. corrosion-free mounting material