

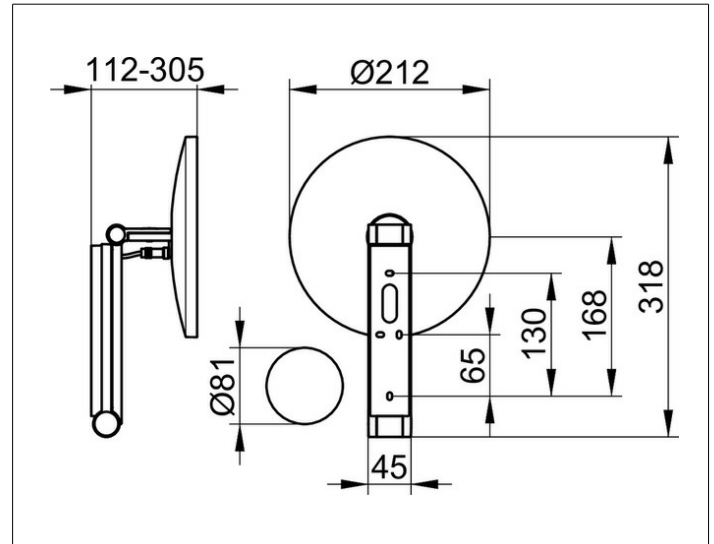
Cosmetic mirrors

17612059002 Cosmetic mirror

PRODUCT



DRAWING



PRODUCT ATTRIBUTES

illuminated, 5-stage adjustable light colour from 2700 kelvin (warm white) to 6500 kelvin (daylight), glass control panel, in-wall cable layout, on pivoted rail adjustable in three dimensions, one-sided mirror, magnification factor x 5

Operation:

Glass control panel with capacitive touch sensor and LED display

Power supply:

Mains connection via wall socket, 12 V in-wall adapter, input 220-240 V, standby consumption: < 0,5 watt

Illumination:

LED 4,5 watt (lifespan > 50.000 hours)

EEK: D ,

SURFACE

brushed nickel

DIMENSION

2 Lichtfarben, ohne Kabel