

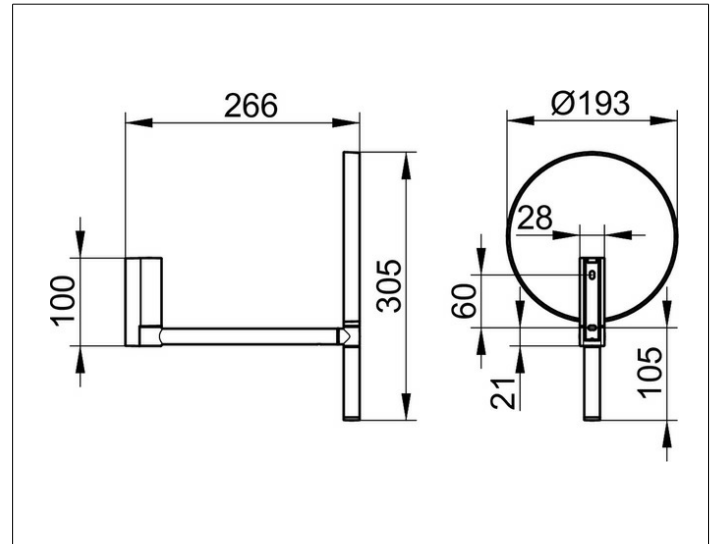
Cosmetic mirrors

17649170002 Cosmetic mirror

PRODUCT



DRAWING



PRODUCT ATTRIBUTES

non illuminated, wall mounted
on pivoted arm adjustable in three dimensions,
double-sided mirror, concave / straight
magnification factor x 5

SURFACE

aluminium finish