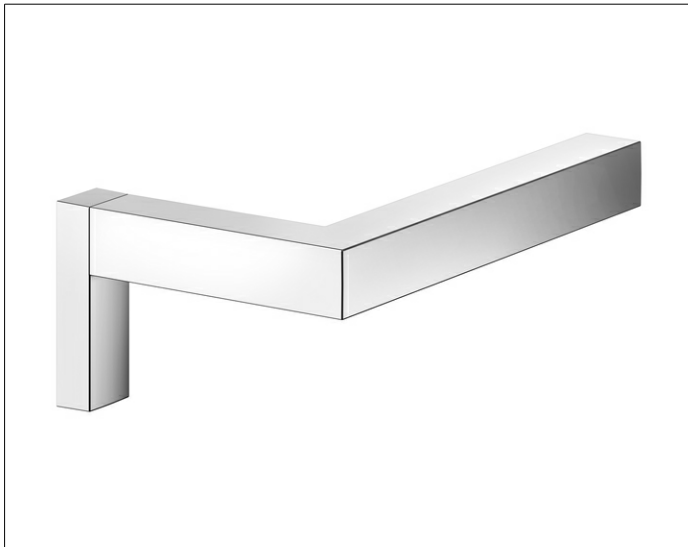


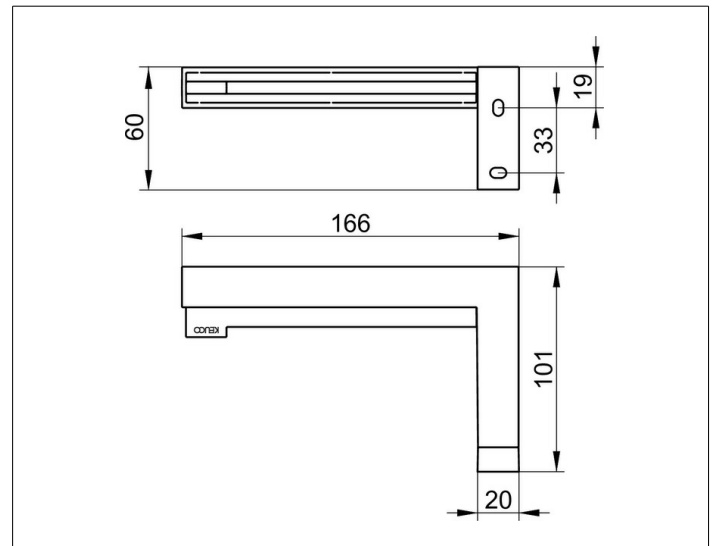
Edition 90 Square

19162010000 Toilet paper holder

PRODUCT



DRAWING



PRODUCT ATTRIBUTES

open form, with roll brake
for 100/120 mm wide paper rolls

SURFACE

chrome-plated

SPECIFICATIONS

KEUCO EDITION 90 SQUARE - Toilet paper holder - 19162010000
Accessories for the modern bathroom design
Filigree design - The square - a strong form - Refines the bathroom - Open form for 100/120 mm wide paper rolls - With roll brake

Width / \varnothing : 166 mm - Height: 60 mm - Dimension: 101 mm
Material: Metal
Surface: chrome

The product is screwed on - Concealed fastening - Including corrosion-free fastening material

Articlenumber: 19162010000