

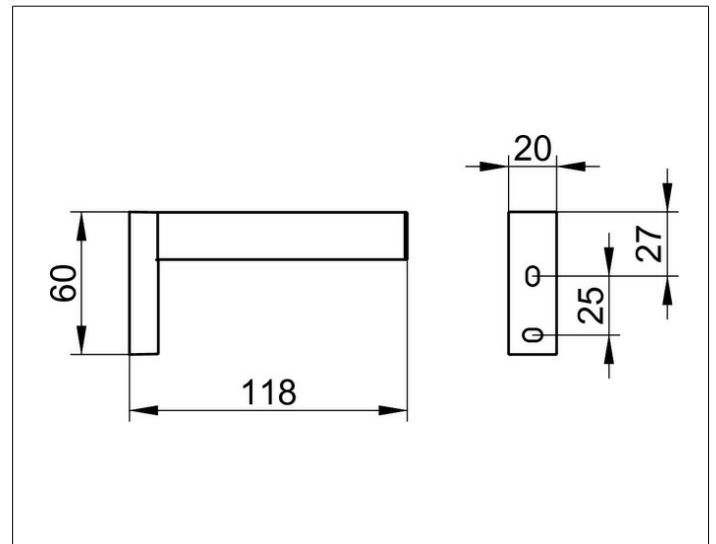
Edition 90 Square

19163010000 Spare paper holder

PRODUCT



DRAWING



SURFACE

chrome-plated

SPECIFICATIONS

KEUCO EDITION 90 SQUARE - Spare paper holder - 19163010000

Accessories for the modern bathroom design

Filigree design - The square - a strong form - Refines the bathroom - For 100/120 mm wide paper rolls

Width / ϕ : 20 mm - Height: 60 mm - Dimension: 118 mm

Material: Metal

Surface: chrome

The product is screwed on - Concealed fastening - Including corrosion-free fastening material

Articlenumber: 19163010000