

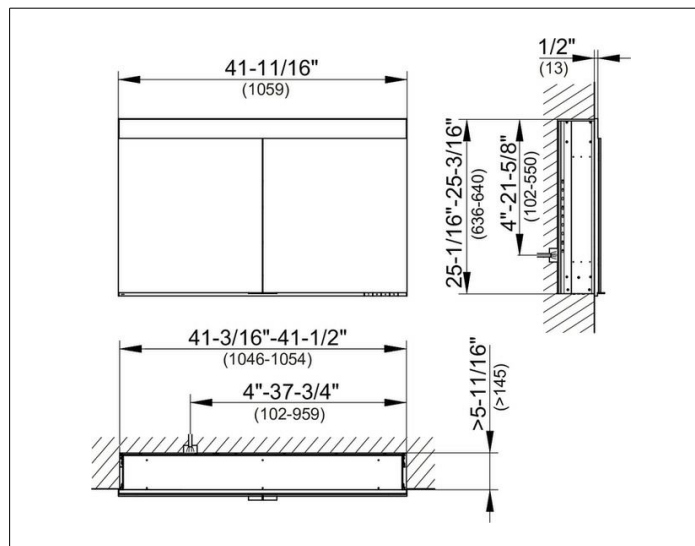
Edition 400

21502171351 Mirror cabinet

PRODUCT



DRAWING



EEK: ,

SURFACE

silver anodized

DIMENSION

1060 x 650 x 154 mm

SPECIFICATIONS

KEUCO Edition 400 Mirror cabinet 21502171351
High quality Mirror cabinet in elegant design

for recessed installation,
adjustable light colour from 2700 kelvin (warm white)
to 6500 kelvin (daylight),
2 hinged double sided crystal mirrored doors,
Body: aluminium silver anodized
interior rear wall mirrored

Operation:
key panel with capacitive touch sensor,
integrated extension function for e.g. lighth switch

Illumination:
LED 39 watt (lifespan > 30.000 hours)
infinitely dimmable

- 2 sockets
- 2 x 3 adjustable glass shelves
- 2 storage boxes with slidable glass lid
- interior lighting
- soft-closing doors

41-3/4" x 25-9/16" x 6-1/16"

silver anodized