

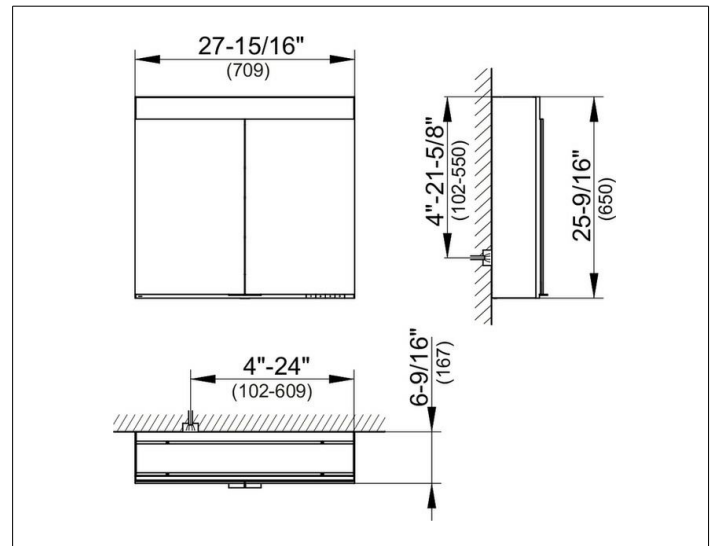
**Edition 400**

**21521171351 Mirror cabinet**

**PRODUCT**



**DRAWING**



EEK: ,

**SURFACE**

silver anodized

**DIMENSION**

710 x 650 x 167 mm

**SPECIFICATIONS**

KEUCO Edition 400 Mirror cabinet 21521171351  
High quality Mirror cabinet in elegant design

wall mounted,  
adjustable light color from 2700 kelvin (warm white)  
to 6500 kelvin (daylight),  
2 hinged double sided crystal mirrored doors,  
Body: aluminium silver anodized  
Body panels made from rear-lacquered white glass,  
interior rear wall mirrored

Operation:  
key panel with capacitive touch sensor,  
integrated extension function for e.g. light switch

Illumination:  
LED 26 watt (lifespan > 30.000 hours)  
infinitely dimmable

- 2 sockets
- 3 adjustable glass shelves
- storage box with slidable glass lid
- interior lighting
- soft-closing doors

28" x 25-9/16" x 6-1/16"

silver anodized