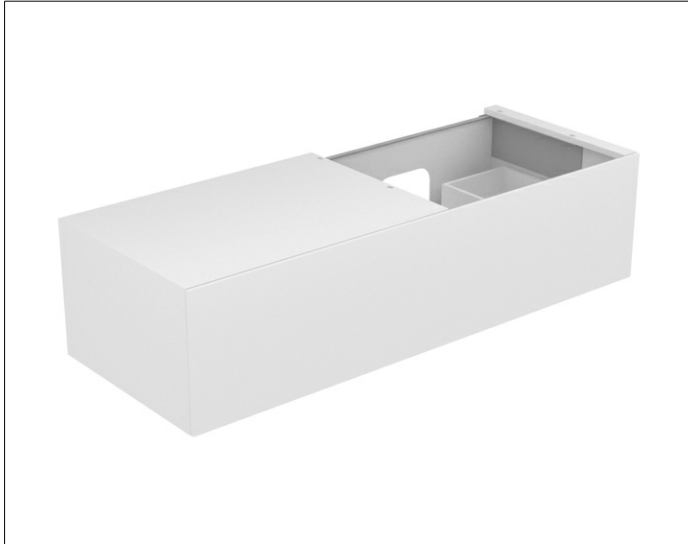


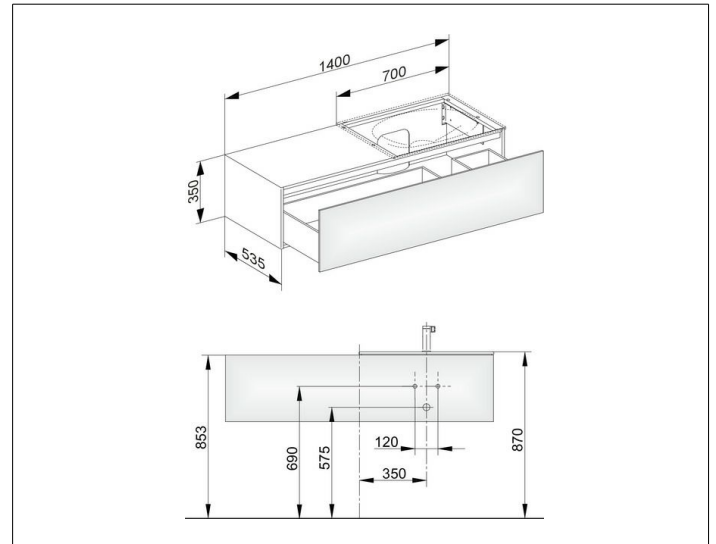
Edition 11

31166XX0000 Vanity unit

PRODUCT



DRAWING



PRODUCT ATTRIBUTES

compatible with ceramic washbasin article no. 31140
 1 drawer front with push-to-open mechanism
 incl. odour trap made of plastic 1 1/4 x 32

EQUIPMENT

- 2 sliding storage boxes (190 x 70 x 413 mm)

SURFACE

37, 38, 39

DIMENSION

1400 x 350 x 535 mm