

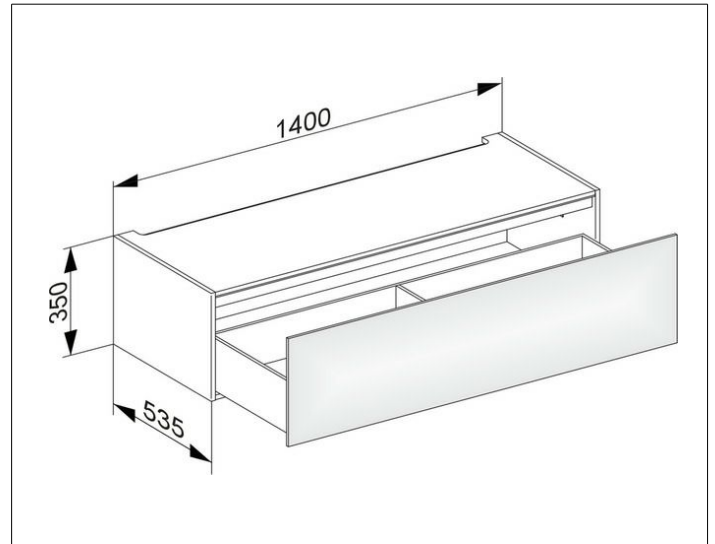
Edition 11

31313XX0000 Base cabinet module

PRODUCT



DRAWING



PRODUCT ATTRIBUTES

1 drawer front with push-to-open mechanism

EQUIPMENT

- 2 sliding storage boxes (190 x 70 x 413 mm)

SURFACE

37, 38, 39

DIMENSION

1400 x 350 x 535 mm