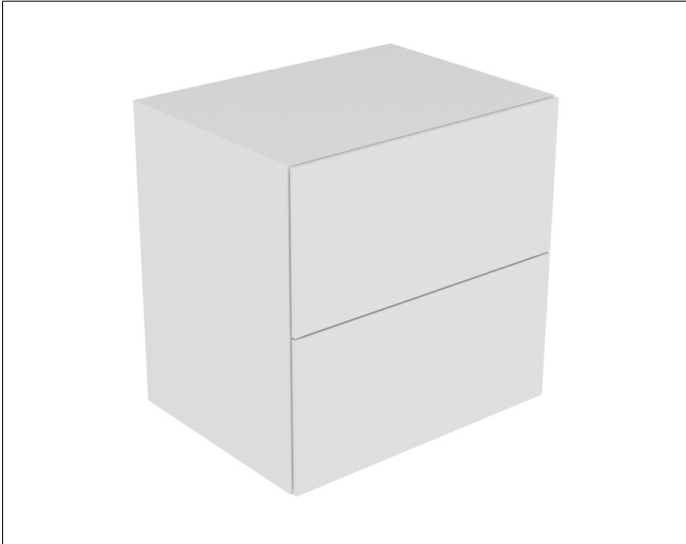


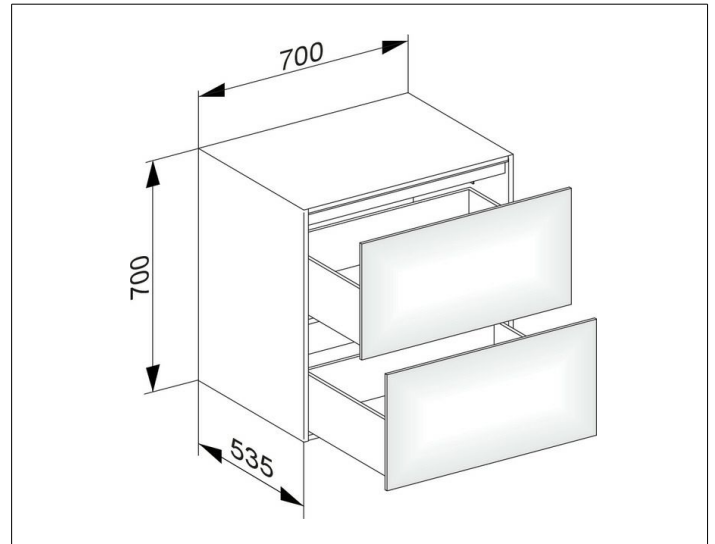
Edition 11

31323WW0100 Side unit

**PRODUCT**



**DRAWING**



**PRODUCT ATTRIBUTES**

2 drawer fronts with push-to-open mechanism  
with LED interior lighting, automatic on-off function  
warm-white light colour

**EQUIPMENT**

- 2 sliding storage boxes (190 x 70 x 413 mm)

**SURFACE**

33

**DIMENSION**

700 x 700 x 535 mm