

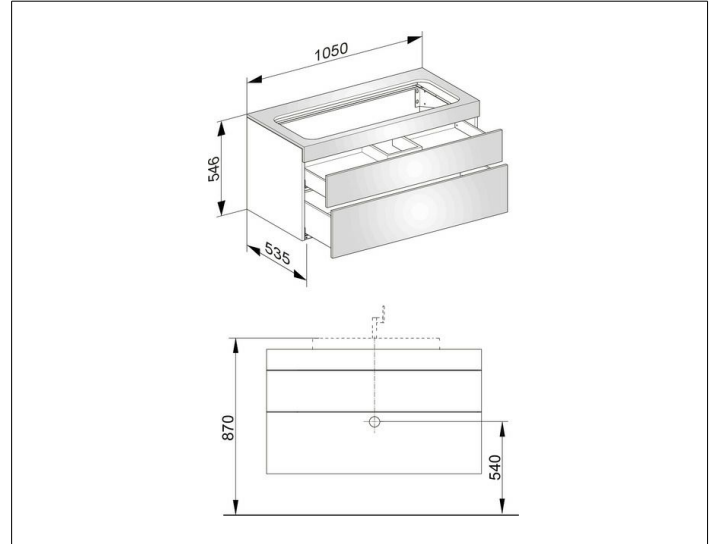
Edition 400

31582YY0000 Vanity unit

PRODUCT



DRAWING



PRODUCT ATTRIBUTES

no tap hole,
compatible with ceramic washbasin article no. 31580,
2 drawer fronts with push-to-open mechanism and
soft closing, incl. odour trap made of plastic 1 1/4 x 32

SURFACE

11, 14, 15, 17, 18, 27, 28,30, 70, 71, 72, 73, 74, 75

DIMENSION

1050 x 546 x 535 mm