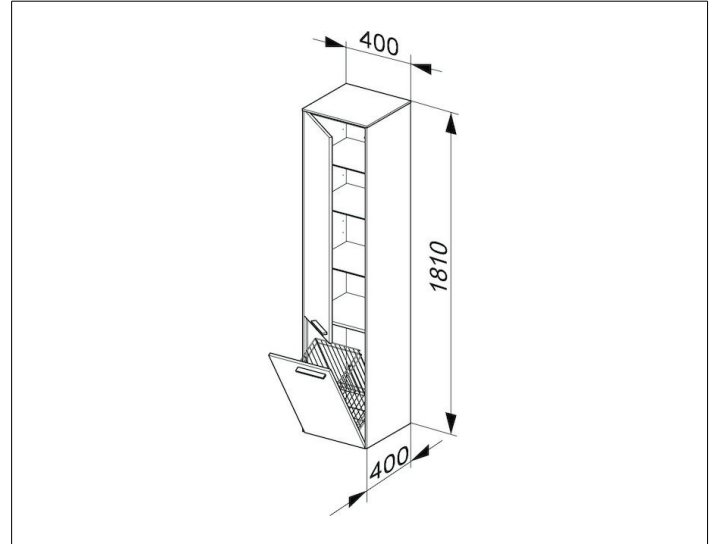


Royal 60
32131XX0001 Tall unit

PRODUCT



DRAWING



PRODUCT ATTRIBUTES

2 doors, soft-closing

EQUIPMENT

- 3 glass shelves
- 1 laundry basket

SURFACE

21, 43, 44, 45

DIMENSION

400 x 1800 x 400 mm