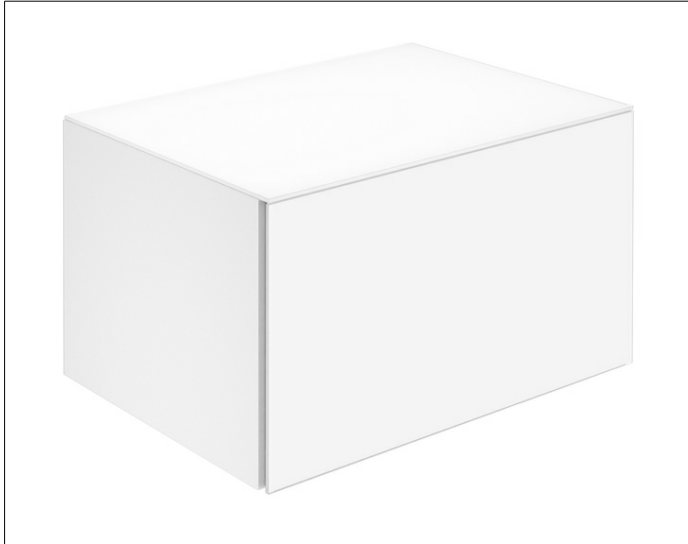
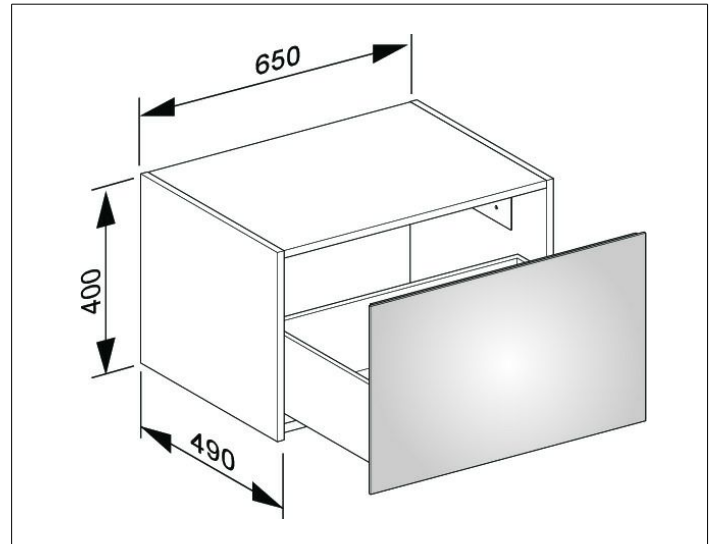


Plan
32925XX0000 Side unit

PRODUCT



DRAWING



PRODUCT ATTRIBUTES

1 pull-out with soft close

EQUIPMENT

- 1 inserting mat
- glass cover plate

SURFACE

18, 30, 97

DIMENSION

650 x 400 x 490 mm