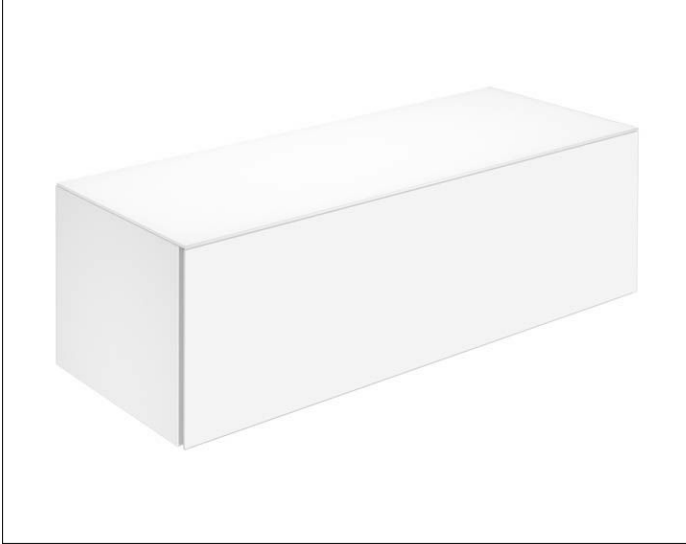
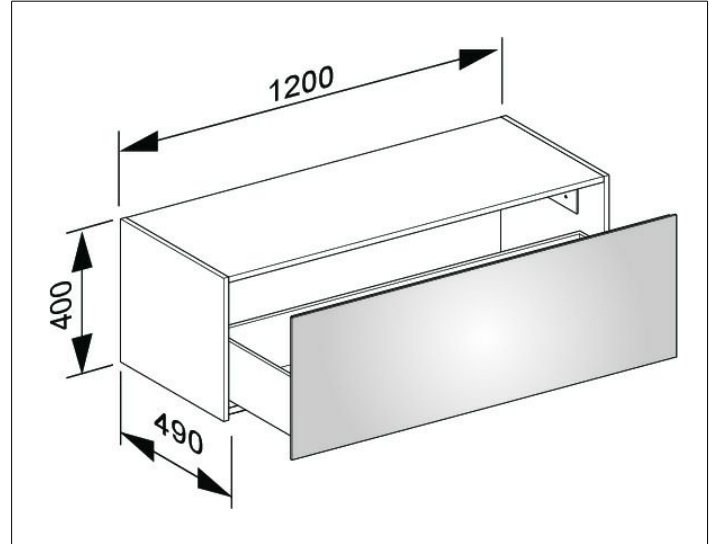


Plan
32928YY0000 Side unit

PRODUCT



DRAWING



PRODUCT ATTRIBUTES

1 pull-out with soft close

EQUIPMENT

- 1 inserting mat
- glass cover plate

SURFACE

11, 14, 29

DIMENSION

1200 x 400 x 490 mm