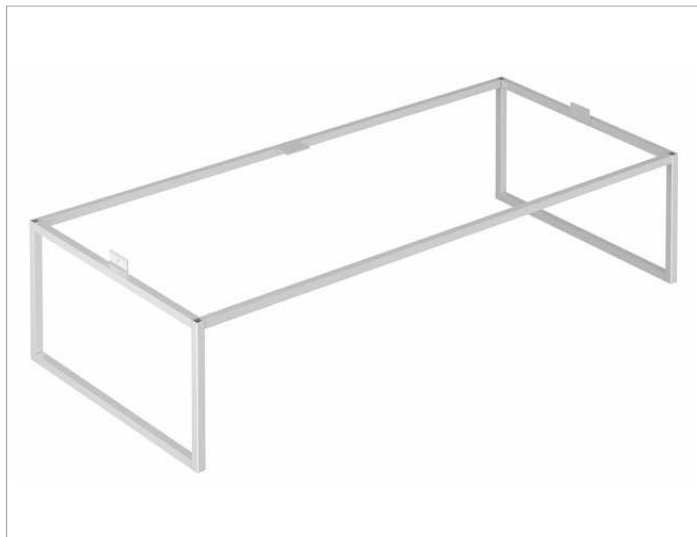
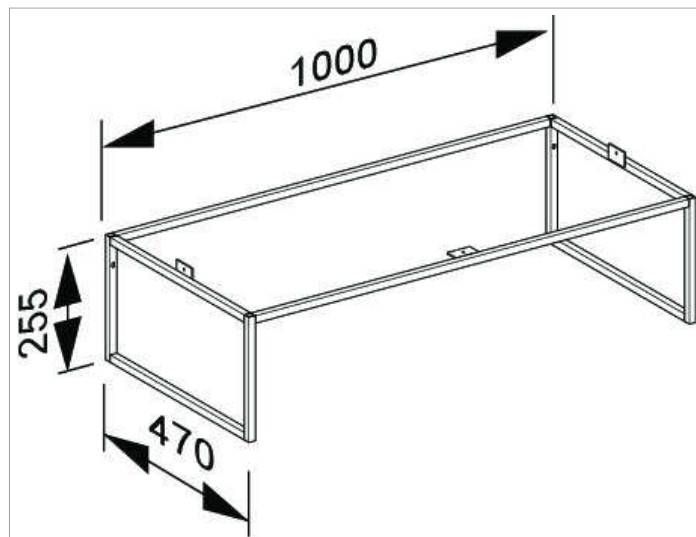


X-Line  
33198ZZ0004 Base support

**PRODUCT**



**DRAWING**



**SURFACE**

11, 14, 18, 29, 30

**DIMENSION**

1000 x 255 x 470 mm