

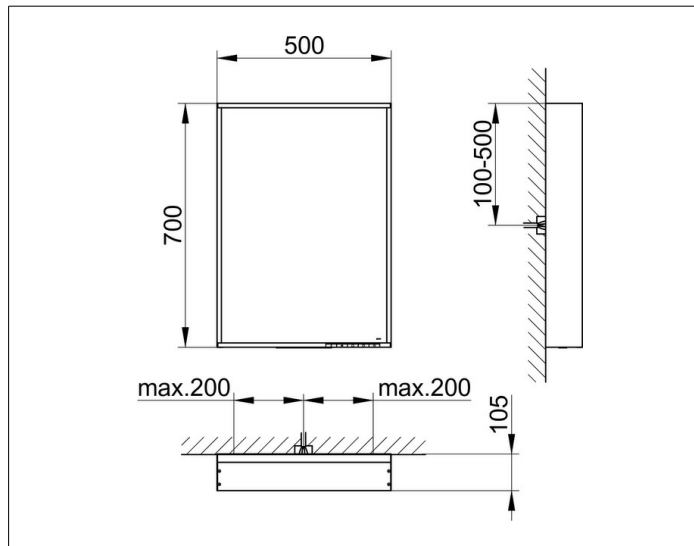
X-Line

33297ZZ1503 Light mirror

PRODUCT



DRAWING



PRODUCT ATTRIBUTES

adjustable light colour from 2700 kelvin (warm white) to 6500 kelvin (daylight),

continuous aluminium frame, laquered

Operation:

key panel with capacitive touch sensor, DALI controlled

Illumination:

LED (lifespan > 30 000 hours),

Main light (top light and wall light), and washbasin lighting separately infinitely dimmable and can be switched on/off

SURFACE

27 watt

DIMENSION

500 x 700 x 105 mm