

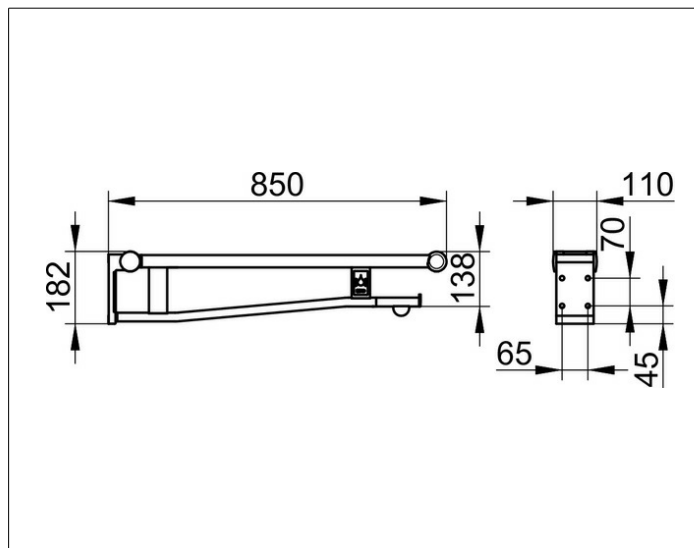
Plan Care

34903012837 Drop down supporting rail for WC

PRODUCT



DRAWING



PRODUCT ATTRIBUTES

left hand model
with integrated radio-controlled flush switch,
complete with membrane keypad and battery power
(SL-360 LTC battery) fits with:
Geberit:
115.867.SN.5, 115.869.SN.5, 115.897.00.1, 115.898.00.1
Grohe: 38 759 SD0
Sanit: 03.082.00..0000, 03.582.00..0000
Tece: 9.240.354, 9.240.355
Viega: 696 177
lift up arm, cushioned model,
support area with plastic covering,
with removable toilet paper holder (with roll brake)

SURFACE

chrome-plated/dark grey (RAL 7021)

DIMENSION

850 mm

SPECIFICATIONS

KEUCO PLAN Pivoted supporting rail for WC
34903012837
High shine chrome-plate pivoted supporting rail for WC
left hand model with integrated radio-controlled flush switch
complete with membrane keypad and battery power
(SL-360 LTC battery) fits with:
Geberit:
115.867.SN.5, 115.869.SN.5, 115.897.00.1, 115.898.00.1
Grohe:
38 759 SD0
Sanit:
03,082,00,,0000, 03,582,00,,0000
Tece:
9,240,354, 9,240,355
Viega:
611 965
handle folds upward, cushioned model,
support area with plastic covering,
dark-grey (RAL 7021)
with removable toilet paper holder (with roll brake)
anti-static
Width Surface area with anti-slip,
elegant,
tactile and optical contrasting Handle
Underneath as Hand towel holder useable
Projection 850 mm
Projection 850 mm
Width Wall plate 110 mm,
Height Wall plate 182 mm
Load capacity up to 100 kg
The Handle is Type approved
Wall support grip will be at 4 places discretely mounted

It's essential for installation to order the correct screws/bolts depending on type of wall:

2 x Mounting-Set 2 (item no. 34991000100) or
2 x Mounting-Set 5 (item no. 34991000200) or
2 x Mounting-Set 8 (item no. 34994000200) or
1 x Mounting-Set 10 (item no. 34996000100)

Please order separately!