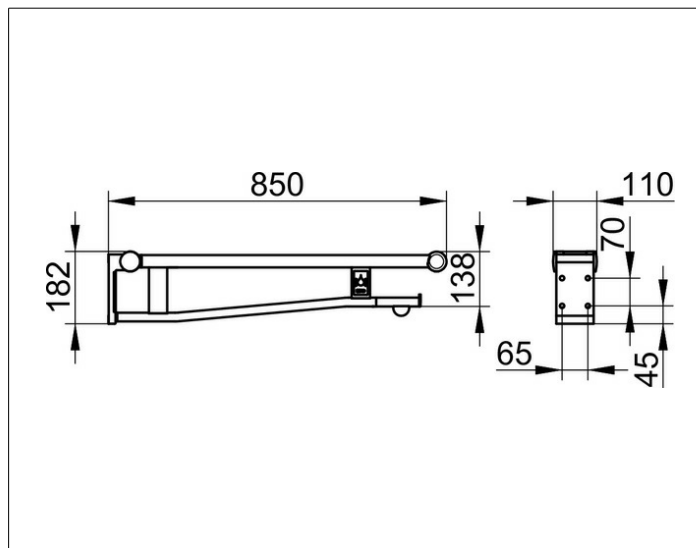


Plan Care**34903172838 Asidero plegable para WC****PRODUCTO****DIBUJO****CARACTERISTICAS DEL PRODUCTO**

versión izquierda
 con teleactivación de lavado de WC
 completo con teclado de membrana y
 alimentación eléctrica por batería
 (batería SL-360 LTC) adecuada para:
 Geberit:
 115.867.SN.5, 115.869.SN.5, 115.897.00.1, 115.898.00.1
 Grohe: 38 759 SD0
 Sanit: 03.082.00..0000, 03.582.00..0000
 Tece: 9.240.354, 9.240.355
 Viega: 786 038
 plegable hacia arriba, con amortiguación
 superficie de apoyo revestida de plástico
 portarrollos extraíble, con freno de giro

SUPERFICIE

aluminio anodizado (E6 EV 1)/gris claro (RAL 7035)

DIMENSION

850 mm

ESPECIFICACIONES

KEUCO PLAN Pivoted supporting rail for WC 3490312838
 Pivoted supporting rail for WC in aluminium silver anodized
 left hand model with integrated radio-controlled flush switch
 complete with membrane keypad and battery power
 (SL-360 LTC battery) fits with:

Geberit:
 115.867.SN.5, 115.869.SN.5, 115.897.00.1, 115.898.00.1

Grohe:
 38 759 SD0

Sanit:
 03,082,00,,0000, 03,582,00,,0000

Tece:
 9,240,354, 9,240,355

Viega:
 611 965
 handle folds upward, cushioned model,
 support area with plastic covering,
 light-grey (RAL 7035)
 with removable toilet paper holder (with roll brake)
 anti-static

Width Surface area with anti-slip,
 elegant,
 tactile and optical contrasting Handle
 Underneath as Hand towel holder useable
 Projection 850 mm

Width Wall plate 110 mm,
 Height Wall plate 182 mm
 Load capacity up to 100 kg
 The Handle is Type approved
 Wall support grip will be at 4 places discretely mounted

It's essential for installation to order the correct
 screws/bolts depending on type of wall:

2 x Mounting-Set 2 (item no. 34991000100) or
 2 x Mounting-Set 5 (item no. 34991000200) or
 2 x Mounting-Set 8 (item no. 34994000200) or
 1 x Mounting-Set 10 (item no. 34996000100)

Please order separately!