

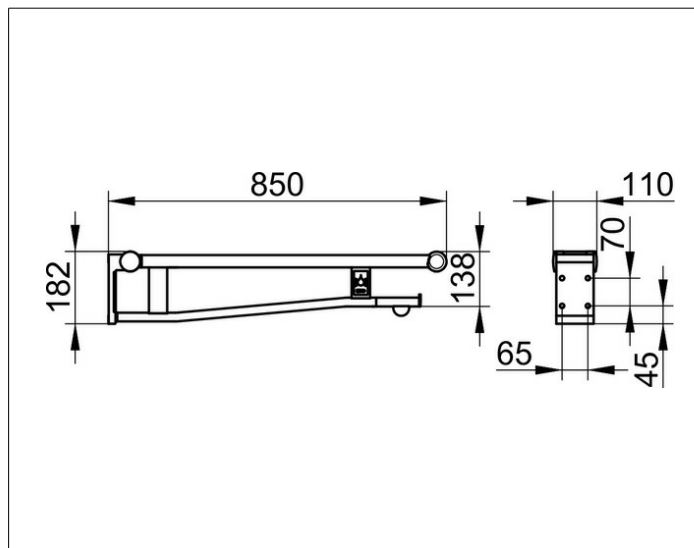
**Plan Care**

**34903172851 Drop down supporting rail for WC**

**PRODUCT**



**DRAWING**



**PRODUCT ATTRIBUTES**

left hand model  
with integrated radio-controlled flush switch,  
complete with membrane keypad and battery power  
(SL-360 LTC battery) fits with:  
Geberit:  
115.867.SN.5, 115.869.SN.5, 115.897.00.1, 115.898.00.1  
Grohe: 38 759 SD0  
Sanit: 03.082.00..0000, 03.582.00..0000  
Tece: 9.240.354, 9.240.355  
Viega: 696 177  
lift up arm, cushioned model,  
support area with plastic covering,  
with removable toilet paper holder (with roll brake)

**SURFACE**

aluminium silver anodized (E6 EV1)/white (RAL 9010)

**DIMENSION**

850 mm

**SPECIFICATIONS**

KEUCO PLAN Pivoted supporting rail for WC 34903172851  
Pivoted supporting rail for WC in aluminium silver anodized  
left hand model with integrated radio-controlled flush switch  
complete with membrane keypad and battery power  
(SL-360 LTC battery) fits with:  
Geberit:  
115.867.SN.5, 115.869.SN.5, 115.897.00.1, 115.898.00.1  
Grohe:  
38 759 SD0  
Sanit:  
03,082,00,,0000, 03,582,00,,0000  
Tece:  
9,240,354, 9,240,355  
Viega:  
611 965  
handle folds upward, cushioned model,  
support area with plastic covering,  
white (RAL 9010)  
with removable toilet paper holder (with roll brake)  
anti-static  
Width Surface area with anti-slip,  
elegant,  
tactile and optical contrasting Handle  
Underneath as Hand towel holder useable  
Projection 850 mm  
Width Wall plate 110 mm,  
Height Wall plate 182 mm  
Load capacity up to 100 kg  
The Handle is Type approved  
Wall support grip will be at 4 places discretely mounted

It's essential for installation to order the correct  
screws/bolts depending on type of wall:

2 x Mounting-Set 2 (item no. 34991000100) or  
2 x Mounting-Set 5 (item no. 34991000200) or  
2 x Mounting-Set 8 (item no. 34994000200) or  
1 x Mounting-Set 10 (item no. 34996000100)

Please order separately!