

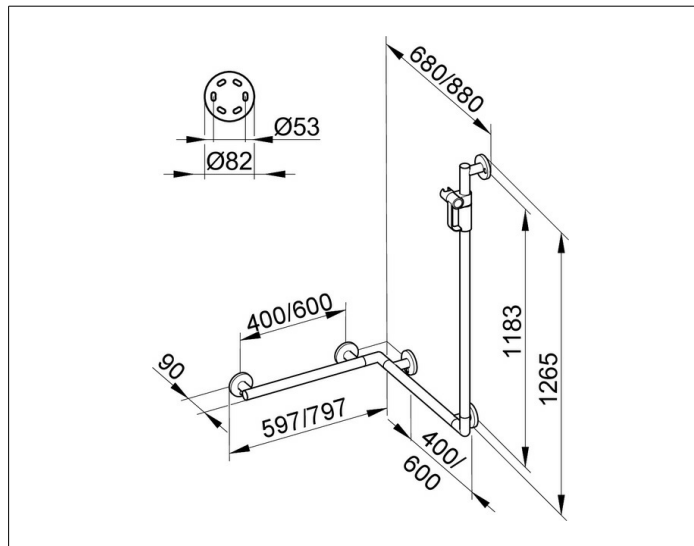
**Plan Care**

**34908174411 Rail system**

**PRODUCT**



**DRAWING**



**PRODUCT ATTRIBUTES**

complete with hand-shower bracket  
may be used on the left or right

**SURFACE**

aluminium silver anodized/chrome-plated

**DIMENSION**

597/680/1265 mm

**SPECIFICATIONS**

KEUCO PLAN CARE rail system  
with Shower rail 34908174411,  
Aluminium silver-anodized/chrome-plated  
complete with shower bracket,  
may be used on left or right  
in esthetic, practical and ergonomic Design  
as Support help up to 115 kg load capacity,  
anti-static,  
easy to clean  
Base measurement horizontal 400/400/1182 mm,  
Pipe diameter 33 mm,  
5 Rosette Diameter 82 mm  
Measurement 597/680/1265 mm  
Projection 90 mm,  
Wall distance 57 mm

May be combined with tip-up seat with backrest  
(Art. no. 34981) or spray guard (Art. no. 34940)

Included in delivery:  
5 x mounting set1 (Art. no. 34990000100)

Further mounting sets  
(depending on type of wall):  
5 x mounting set 4 (Art. no. 34990 000200), or  
5 x mounting set 7 (Art. no. 34993 000200)  
Please order additionally!