

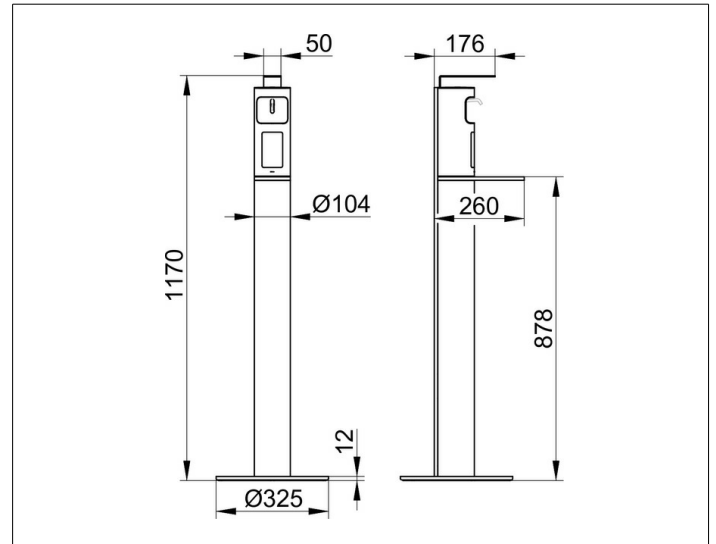
Plan Care

34957170100 Sanitiser dispenser

PRODUCT



DRAWING



PRODUCT ATTRIBUTES

floor model, dispenser case for 0,5l Euronorm bottle with integrated pump (identical e.g. Bode Euronorm bottle 0,5 l Sterilium), with removable plastic drip tray

SURFACE

aluminium silver anodized (E6 EV1)/dark grey (RAL 7021)

DIMENSION

für 0,5 l Euronormflasche