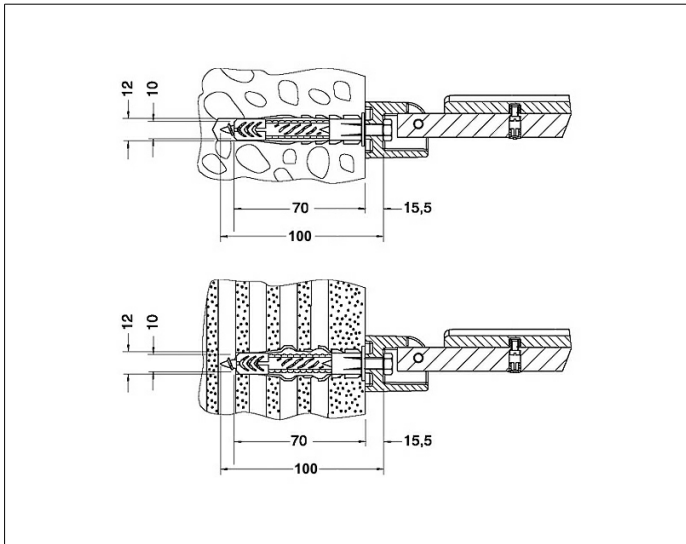


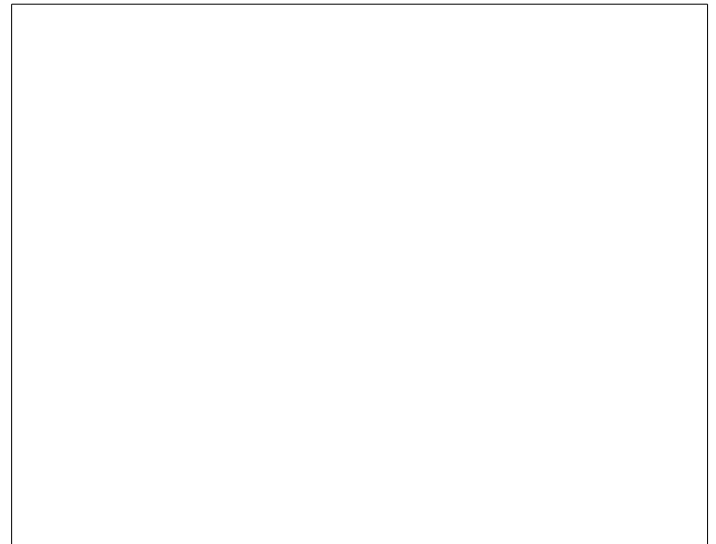
Plan Care

34992000100 Mounting set

PRODUCT



DRAWING



PRODUCT ATTRIBUTES

No. 3
consisting of:
2 x woodscrews DIN 571 10x100 St
2 x universal wall plugs UX 12

SPECIFICATIONS

Mounting-Set 3 34992000100
consisting of :
2 x woodscrews DIN 571 10x100 st
2 x universal wall plugs DuoPower 12x60