

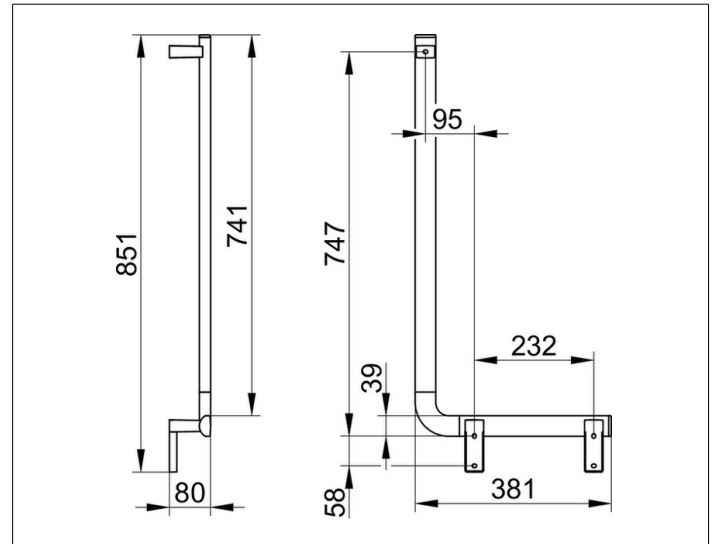
AXESS

35006370801 Angle bar 90°

PRODUCT



DRAWING



PRODUCT ATTRIBUTES

right hand

SURFACE

black matt

DIMENSION

381/851 mm

SPECIFICATIONS

KEUCO AXESS - Angle bar 90° - right hand - 350 06 370801

Accessibility meets design

Angle bar - provides security and support in all areas. high gripping comfort front flat, back formed as half circle. The design impresses with its high ergonomic quality. The product is screwed on. Three concealed fastening.

Width / ø : 381 mm - Height: 851 mm - Depth: 80 mm

Material: Metal

Surface: Black matt

Load capacity 115 kg

Included in delivery 2x mounting sets no 1.

Article no.: 350 06 370801