

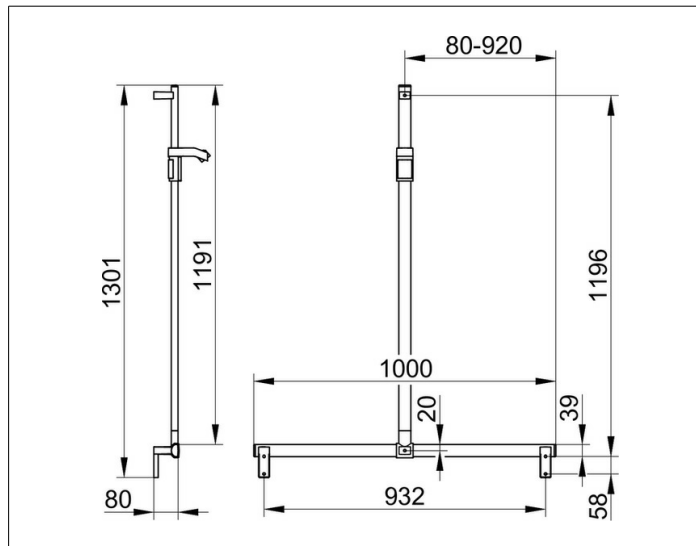
AXESS

35014371013 Rail system

PRODUCT



DRAWING



PRODUCT ATTRIBUTES

complete with hand-shower bracket, mountable on the right or left side, flexible positioning of sliding rail prior to final installation

SURFACE

black matt

DIMENSION

1000/1301 mm

SPECIFICATIONS

KEUCO AXESS - Shower rail with hand shower sliding rail - 35014371013
 Accessibility meets design
 Shower handrail with shower rail and sliding bracket for shower head. Hand shower sliding rail freely positionable before mounting. The design impresses with its high ergonomic quality. The product is screwed on. Three concealed fastening.

Width / ø : 1000 mm - Height: 1301 mm - Depth: 80 mm
 Material: Metal
 Surface: Black matt
 Load capacity 115 kg

Included in delivery 2x mounting sets no 1.

Articleno.: 35014371013