

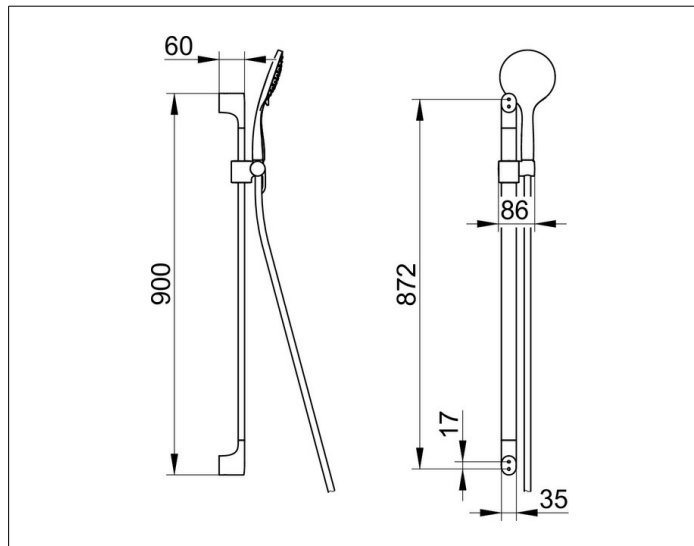
Edition 400

51587050000 Shower set

PRODUCT



DRAWING



PRODUCT ATTRIBUTES

consisting of:

- rail 900 mm and hand-shower bracket

height adjustable

- spacer disc (5 mm)

- hand shower with normal-, soft-, and massage jet

- shower hose, 1600 mm

SURFACE

brushed nickel

DIMENSION

900 mm