

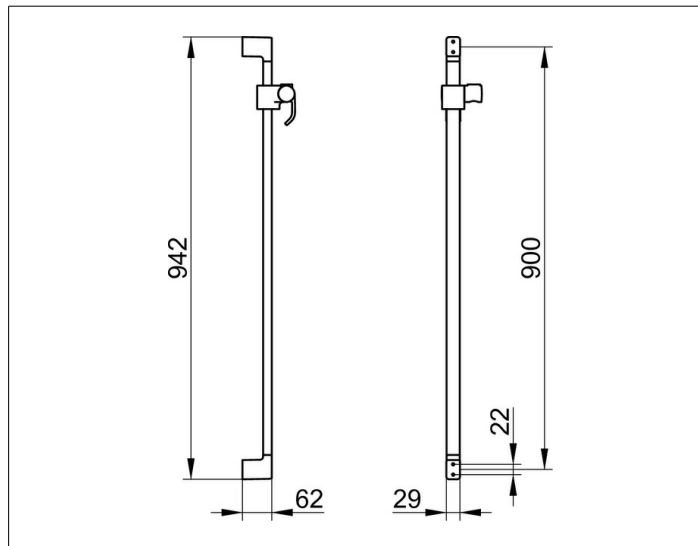
Collection Moll

52785010900 Hand shower sliding rail

PRODUCT



DRAWING



PRODUCT ATTRIBUTES

consisting of:

- rail 900 mm and hand-shower bracket, height adjustable
- spacer disc (5 mm)

SURFACE

chrome-plated

DIMENSION

900 mm

SPECIFICATIONS

KEUCO COLLECTION MOLL hand shower sliding rail 52785010900

High shine chrome-plated hand shower rail

in esthetic design, for wall mounting, consisting of:

Rail and hand shower bracket, length 900 mm, total length 942 mm

Height adjustable with handle, angle of inclination continuously adjustable

Spacer disc (5 mm), Projection 67 mm

The hand shower sliding rail is fitted with 4 hidden fixing points, corrosion-free mounting material included,