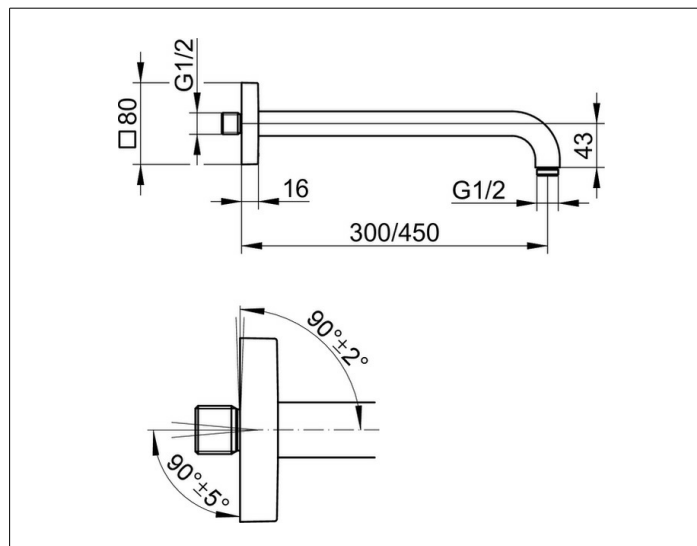


**Shower and shower accessories**  
**53088010402 Arm for head shower DN 15**

**PRODUCT**



**DRAWING**



**PRODUCT ATTRIBUTES**

wall mounted G 1/2, with square decorative disc  
 Opportunity of alignment on the wall ( $90^\circ \pm 2^\circ$ ) and  
 wall connection ( $90^\circ \pm 5^\circ$ )

**SURFACE**

chrome-plated

**DIMENSION**

Ausladung 450 mm

**SPECIFICATIONS**

KEUCO EDITION 300 shower arm for wall connection 53088010402  
 High-gloss chrome plated shower arm for wall connection  
 Elegant style,  
 Total extension 462 mm  
 Outreach 450 mm  
 Water connection G 1 / 2