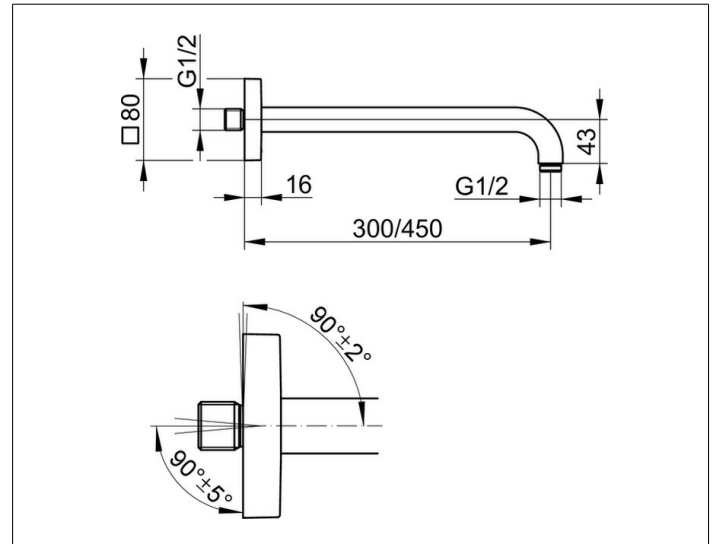


**Shower and shower accessories**  
**53088130302 Arm for head shower DN 15**

**PRODUCT**



**DRAWING**



**PRODUCT ATTRIBUTES**

wall mounted G 1/2, with square decorative disc  
 Opportunity of alignment on the wall ( $90^\circ \pm 2^\circ$ ) and  
 wall connection ( $90^\circ \pm 5^\circ$ )

**SURFACE**

brushed black chrome

**DIMENSION**

Ausladung 300 mm