

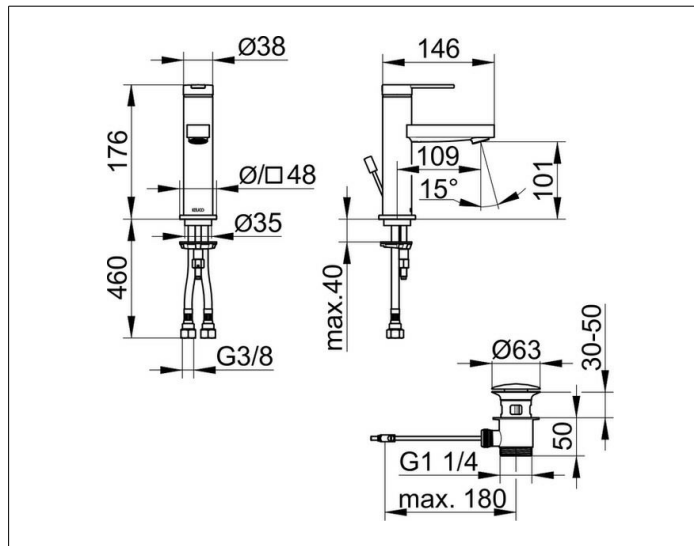
IXMO

59502013000 Single lever basin mixer 100

PRODUCT



DRAWING



PRODUCT ATTRIBUTES

with pop-up waste 1 1/4 inch,
with rosette round and square,
single hole installation,
cartridge with ceramic discs,
aerator M 24x1, adjustable,
pressure hoses 570 mm, G 3/8 inch,
flow rate reduced to 7,6 l/min.

SURFACE

chrome-plated

DIMENSION

IXMO Flat, Rosette rund/eckig