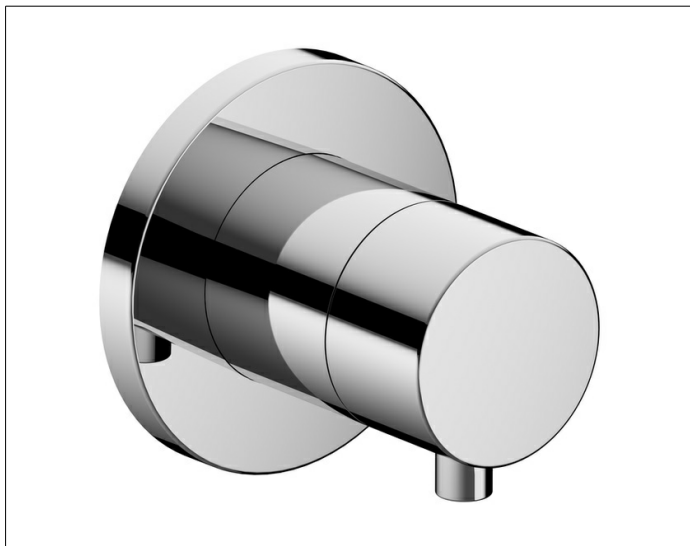


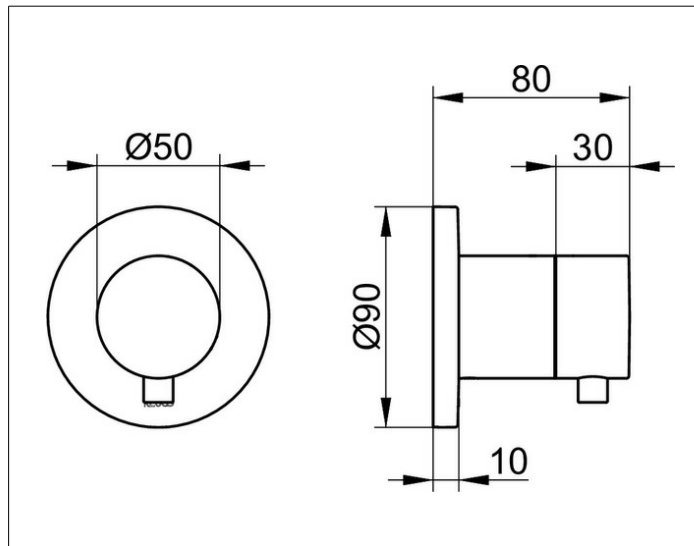
IXMO

59541011001 Stop valve DN 15

PRODUCT



DRAWING



PRODUCT ATTRIBUTES

Set complete with:
 handle, casing, rosette (round) and stop cock
 suitable for rough part no. 59541 000070

SURFACE

chrome-plated

SPECIFICATIONS

KEUCO IXMO stop valve DN15, 59541011001
 chrome-plated stop valve, IXMO Comfort lever
 with round rosette, freely positionable,
 installation depth 80 - 110 mm,
 with adjustment facilities whilst assembling,
 for handle and rosette,
 rosette diameter 90 mm, 10 mm thick,
 total depth 80 mm,
 suitable for rough part no. 59541000070