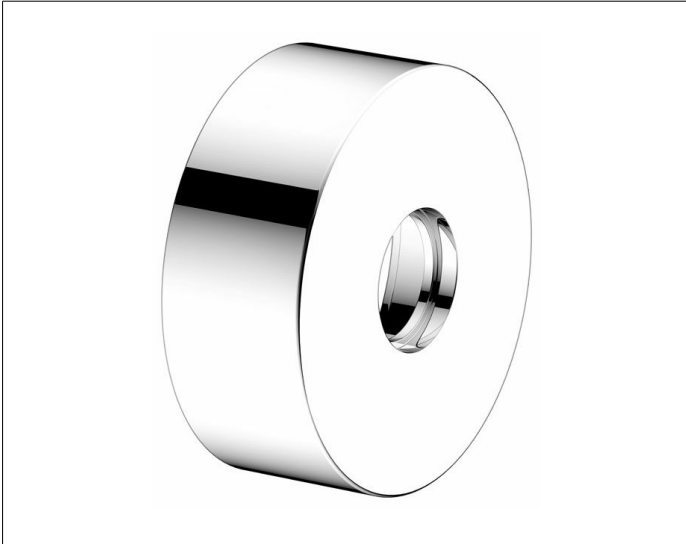


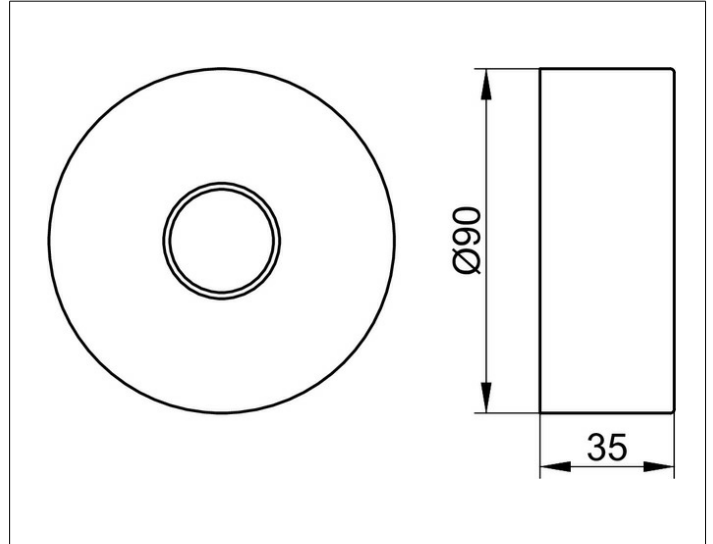
IXMO

59545030281 Extension rosette

PRODUCT



DRAWING



PRODUCT ATTRIBUTES

round, brass, 25 mm
for installation between tiles and finish set
for installation of
in walls with a low wall thickness,
installation depth 55 - 80 mm

SURFACE

brushed bronze

DIMENSION

Höhe 25 mm