

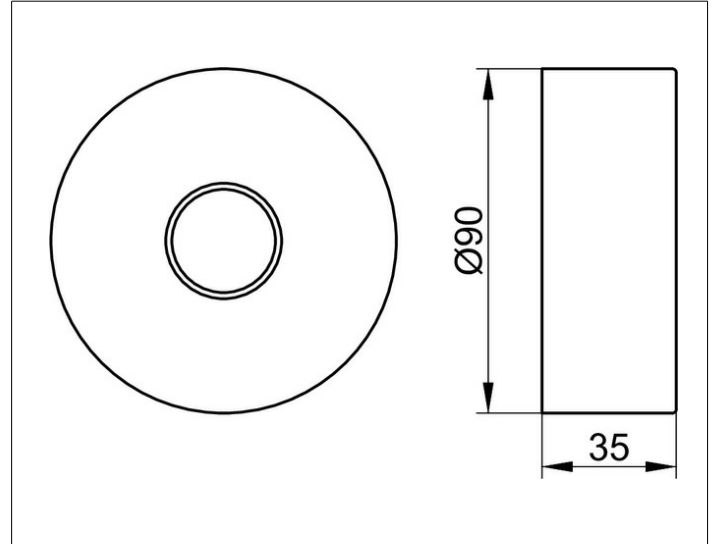
**IXMO**

59545130281 Extension rosette

**PRODUCT**



**DRAWING**



**PRODUCT ATTRIBUTES**

round, brass, 25 mm  
for installation between tiles and finish set  
for installation of  
in walls with a low wall thickness,  
installation depth 55 - 80 mm

**SURFACE**

brushed black chrome

**DIMENSION**

Höhe 25 mm