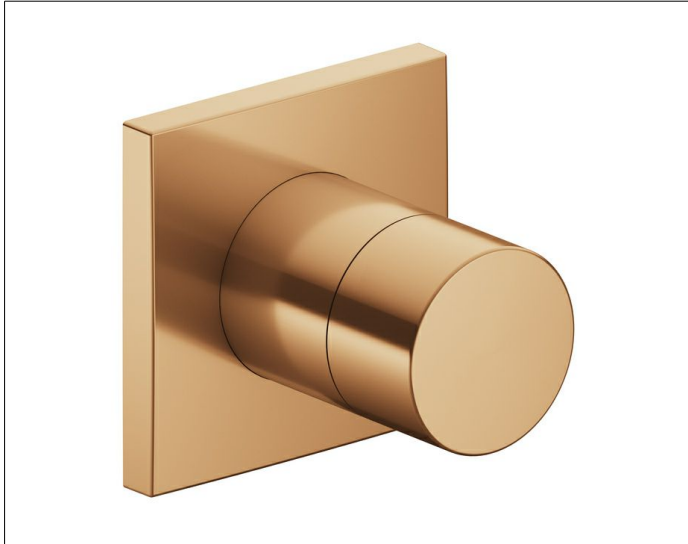


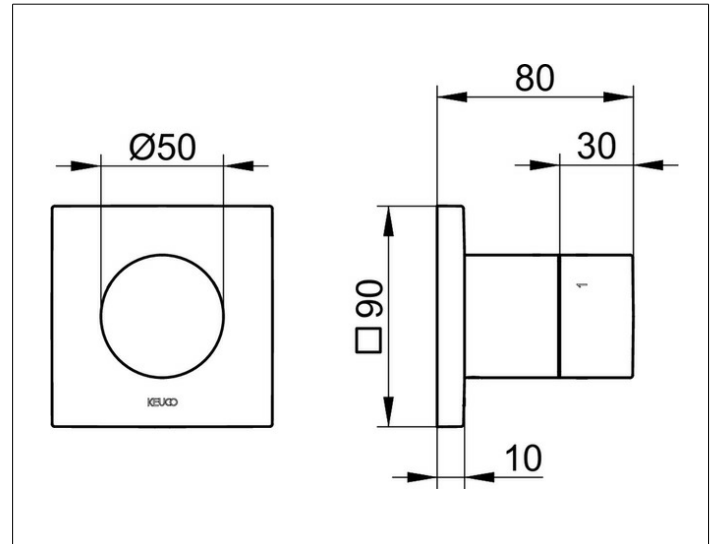
IXMO

59549030002 3-way stop and diverter valve DN 15

PRODUCT



DRAWING



PRODUCT ATTRIBUTES

Set complete with:
 handle, casing, rosette (square) and stop and diverter valve
 suitable for rough part no. 59548 000070

SURFACE

brushed bronze