

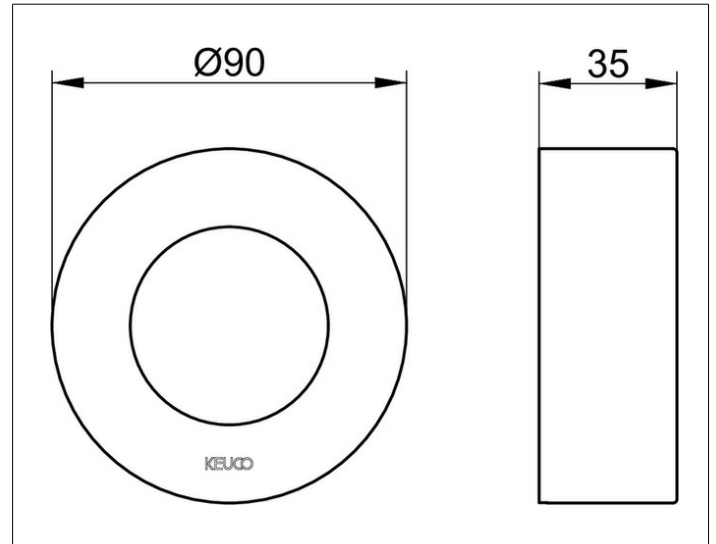
IXMO

59551050281 Extension rosette

PRODUCT



DRAWING



PRODUCT ATTRIBUTES

round, brass,
 for installation between tiles and finish set
 for installation of stop and diverter valve
 in walls with a low wall thickness,
 installation depth 55 - 80 mm

SURFACE

brushed nickel

DIMENSION

Höhe 25 mm