

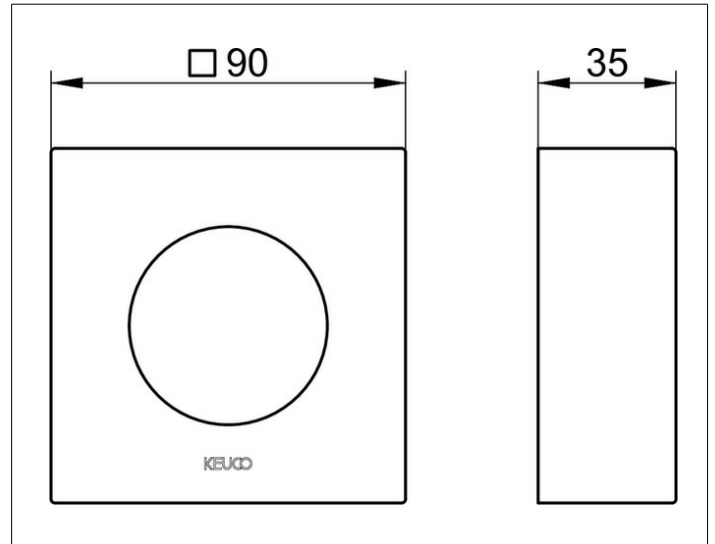
IXMO

59551130282 Extension rosette

PRODUCT



DRAWING



PRODUCT ATTRIBUTES

square, brass,
for installation between tiles and finish set
for installation of the stop and diverter valve
in walls with a low wall thickness,
installation depth 55 - 80 mm

SURFACE

brushed black chrome

DIMENSION

Höhe 25 mm